

DIGITAL PROJECTOR

MX618ST

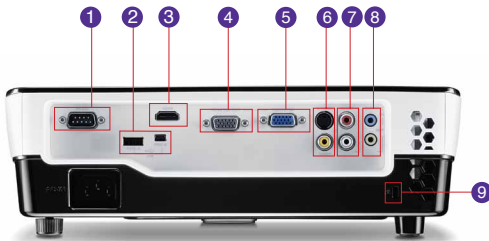


Features

- Native XGA (1024 x 768) Resolution
- 2800 ANSI Lumens, 13,000:1 Contrast Ratio
- SmartEco™ Power Saving Technology
- Short-Throw Lens, 3D-Ready, Auto Blank, HDMI x1
- USB Display, USB Reader, 10W Speaker



Input and Output Terminals



- | | |
|------------------------|-----------------------|
| 1 RS-232 x 1 | 6 S-Video / Video x 1 |
| 2 USB Type A & Mini B | 7 Audio R/L x 1 |
| 3 HDMI x 1 | 8 Audio In & Out |
| 4 RGB Out x 1 | 9 Kensington Lock |
| 5 RGB In/Component x 1 | |

Specifications

| | |
|------------------------------|---|
| Projection System | DLP |
| Native Resolution | XGA (1024 x 768) |
| Brightness | 2800AL |
| Contrast Ratio | 13000:1 |
| Display Color | 1.07 Billion Colors |
| Lens | F2.6-2.78, f=10.2-12.24 mm |
| Aspect Ratio | Native 4:3 (5 aspect ratio selectable) |
| Throw Ratio | 0.9-1.08(54.5"@1m) |
| Image Size (Diagonal) | 32"~300" |
| Zoom Ratio | 1.2:1 |
| Lamp Type | 210W |
| Lamp Life (Norm/Eco/Smt Eco) | 3500/5000/6500 hours |
| Keystone Adjustment | 1D, Vertical +/- 40 degrees |
| Projection Offset | 110% ±5% |
| Resolution Support | VGA(640 x 480) to UXGA(1600 x 1200) |
| Horizontal Frequency | 31K~102KHz |
| Vertical Scan Rate | 23~120Hz |
| Compatibility | HDTV Compatibility: 480i, 480p, 576i, 576p, 720p, 1080i, 1080p Video Compatibility: NTSC, PAL, SECAM 3D Compatibility: 1) PC:120Hz Frame Sequential 3D for resolutions up to WXGA 2) PC: 60Hz Top-bottom 3D for resolutions up to SXGA+ 3) Video: 60Hz Frame Sequential 3D for resolutions up to 480i |
| Interface | Computer in (D-sub 15pin) x 1 (Share with component) Monitor out (D-sub 15pin) x 1 HDMI x 1 Composite Video in (RCA) x 1 S-Video in (Mini DIN 4pin) x 1 Audio in (Mini Jack) x 1 Audio L/R in (RCA) x 1 Audio out (Mini Jack) x 1 Speaker 10W x 1 USB (Type A) x 1 (USB Reader & Wireless Display) USB (Type mini B) x 1 (Download & page/down) RS232 (DB-9pin) x 1 IR Receiver x 2 (Front + Top) |
| Dimensions (WxHxD) | 312 x 104 x 244 mm |
| Weight | 2.75KG |
| Power Supply | AC100 to 240 V, 50 to 60 Hz |
| Power Consumption | 295W(typical), Standby<0.5W |
| Audible Noise | 33/28 dBA (Normal/Economic mode) |
| On-Screen Display Languages | Arabic/Bulgarian/ Croatian/ Czech/ Danish/ Dutch/ English/ Finnish/ French/ German/ Greek/ Hindi/ Hungarian/ Italian/ Indonesian/ Japanese/ Korean/ Norwegian/ Polish/ Portuguese/ Romanian/ Russian/ Simplified Chinese/Spanish/ Swedish/ Turkish/ Thai/ Traditional Chinese (28 Languages) |
| Picture Modes | Dynamic/Presentation/s RGB/Cinema/User 1/User 2 |
| Accessories (Standard) | Remote Control w/ Battery, Power Cord (by region), User Manual CD, Quick Start Guide, Warranty Card (by region), VGA(D-sub 15pin) Cable |
| Accessories (Optional) | Spare Lamp Kit P/N: 5J.J8G05.001 Ceiling Mount P/N: 5J.J4N10.001 3D Glasses P/N: 5J.J7K25.001 Wireless Dongle_WDRL3070 P/N: 5J.J0614.A21 Carry bag P/N: 5J.J3T09.001 |
| Limited Warranty | 1-Year Parts & Labor / 1-Year or 2000 hours of lamp life |

*Lamp life results will vary depending on environmental conditions and usage. Actual product's features and specifications are subject to change without notice.



MX618ST 02-15-13-BQca



BenQ Canada Corp.

Tel: (416) 363-2367 www.BenQ.ca

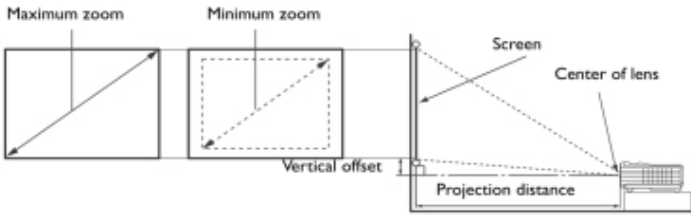
BenQ is a registered trademark of BenQ Corp. DLP is a registered trademark of Texas Instruments. All rights reserved. Product names, logos, brands, and other trademarks featured or referred to in this materials are the property of their respective trademark holders. Specifications subject to change without notice.



Enjoyment Matters

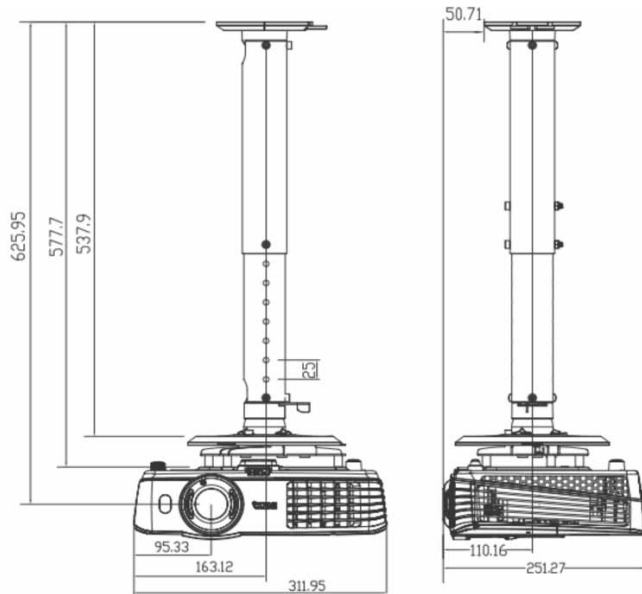
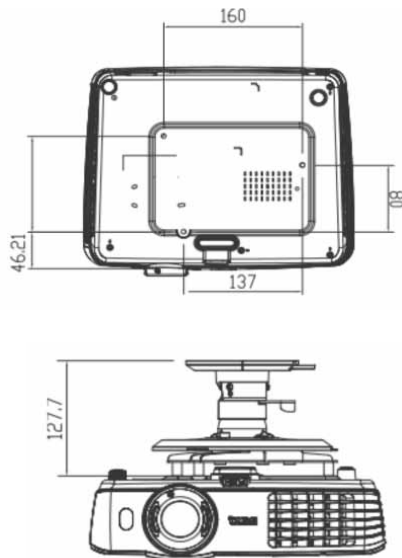
MX618ST Digital Projector

Distance Chart



| Screen Size | | Distance from screen (mm) | | | Vertical offset (mm) | | |
|-------------|--------|---------------------------|-----------------------|---------|----------------------|-----------------------|-----|
| Diagonal | W (mm) | H (mm) | Min length (Max zoom) | Average | | Min length (Max zoom) | |
| 40 | 1016 | 813 | 610 | 734 | 807 | 881 | 30 |
| 50 | 1270 | 1016 | 762 | 917 | 1009 | 1101 | 38 |
| 60 | 1524 | 1219 | 914 | 1101 | 1211 | 1321 | 46 |
| 80 | 2032 | 1626 | 1219 | 1468 | 1615 | 1761 | 61 |
| 100 | 2540 | 2032 | 1524 | 1835 | 2018 | 2202 | 76 |
| 120 | 3048 | 2438 | 1829 | 2202 | 2422 | 2642 | 91 |
| 150 | 3810 | 3048 | 2286 | 2752 | 3028 | 3303 | 114 |
| 200 | 5080 | 4064 | 3048 | 3670 | 4037 | 4404 | 152 |
| 220 | 5588 | 4470 | 3353 | 4037 | 4440 | 4844 | 168 |
| 250 | 6350 | 5080 | 3810 | 4587 | 5046 | 5505 | 191 |
| 300 | 7620 | 6096 | 4572 | 5505 | 6055 | 6606 | 229 |

Ceiling Mount Chart



units: mm

Dimensions



units: mm

