

DIGITAL PROJECTOR | MX520

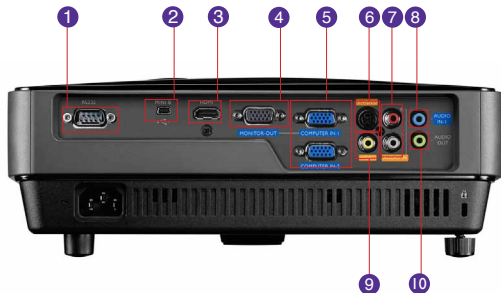


Features

- XGA Native Resolution (1024x768)
- 3,000 ANSI Lumens High Brightness
- 13,000 Contrast Ratio, Instant Restart
- SmartEco™ Power Saving Technology
- Various 3D Format Support Entertainment



Input and Output Terminals



- | | |
|-----------------------------|------------------------------|
| 1 RS232 (DB-9pin) | 6 S-Video In (Mini DIN 4pin) |
| 2 USB (Type mini B) | 7 Audio In L/R (RCA) |
| 3 HDMI | 8 Audio In (Mini Jack) |
| 4 Monitor Out (D-sub 15pin) | 9 Audio Out (Mini Jack) |
| 5 Computer In (D-sub 15pin) | 10 Composite Video in (RCA) |

Specifications

Projection System	DLP®
Native Resolution	XGA(1024 x 768)
Brightness	3000 ANSI Lumens
Contrast Ratio	13000:1
Display Color	1.07 Billion Colors
Lens	F2.56-2.8, f=21-23.1mm
Aspect Ratio	Native 4:3 (5 aspect ratio selectable)
Throw Ratio	1.86-2.04 (53" @ 2m)
Image Size (Diagonal)	40"~300"
Zoom Ratio	1.1:1
Lamp Type	210W
Lamp Life (NorEco/Smart Eco Mode)	4000/5000/6500 hours
Keystone Adjustment	1D, Vertical +/- 40 degrees
Projection Offset	120% ±5%
Resolution Support	VGA(640 x 480) to UXGA(1600 x 1200)
Horizontal Frequency	15~102KHz
Vertical Scan Rate	23~120Hz
Compatibility	HDTV Compatibility: 480i, 480p, 576i, 576p, 720p, 1080i, 1080p Video Compatibility: NTSC, PAL, SECAM
Interface	Computer in (D-sub 15pin) x 2 (shared with Component video) Monitor out (D-sub 15pin) x 1 HDMI x 1 Composite Video in (RCA) x 1 S-Video in (Mini DIN 4pin) x 1 Audio in (Mini Jack) x 1 Audio L/R in (RCA) x 1 Audio out (Mini Jack) x 1 Speaker 2W x 1 USB (Type mini B) x 1 (Download & page/down) RS232 (DB-9pin) x 1 IR Receiver x 1 (Front)
Dimensions (WxHxD)	287.3 x 114.4 x 232.6 mm (11.31 x 4.5 x 9.15 inches)
Weight	2.4kg (5.28lbs)
Power Supply	AC 100 to 240 V, 50 to 60 Hz
Power Consumption	293W (typical), Standby<0.5W
Audible Noise	33/28 dBA (Normal/Economic mode)
On-Screen Display Languages	Arabic/Bulgarian/ Croatian/ Czech/ Danish/ Dutch/ English/ Finnish/ French/ German/ Greek/ Hindi/ Hungarian/ Italian/ Indonesian/ Japanese/ Korean/ Norwegian/ Polish/ Portuguese/ Romanian/ Russian/ Simplified Chinese/Spanish/ Swedish/ Turkish/ Thai/ Traditional Chinese (28 Languages)
Picture Mode	Dynamic/Presentation/sRGB/Cinema/(3D)/User 1/User 2
Accessories (Standard)	Lens Cover, Remote Control w/ Battery, Power Cord, User Manual CD, Quick Start Guide, Warranty Card, VGA(D-sub 15pin) Cable
Accessories (Optional)	Spare Lamp Kit 5J.J6V05.001 Ceiling Mount 5J.J4N10.001 3D Glasses 5J.J7K25.001 Carry bag 5J.J3T09.001
UPC code	8400460-2489-5
Limited Warranty	3 Years Parts/Labor; 1 Year or 2000 hours of lamp life

*Lamp life results will vary depending on environmental conditions and usage. Actual product's features and specifications are subject to change without notice.



BenQ Canada Corp.
Tel: (416) 363-2367 www.BenQ.ca

BenQ is a registered trademark of BenQ Corp. DLP® is a registered trademark of Texas Instruments. All rights reserved. Corporate and trademarks are the property of their respective companies. Specifications subject to change without notice.

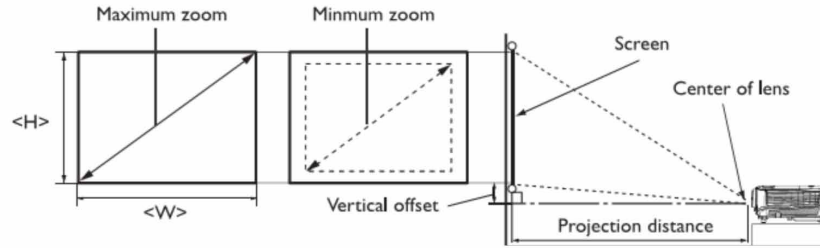


Enjoyment Matters

MX520 02-08-13-BQca

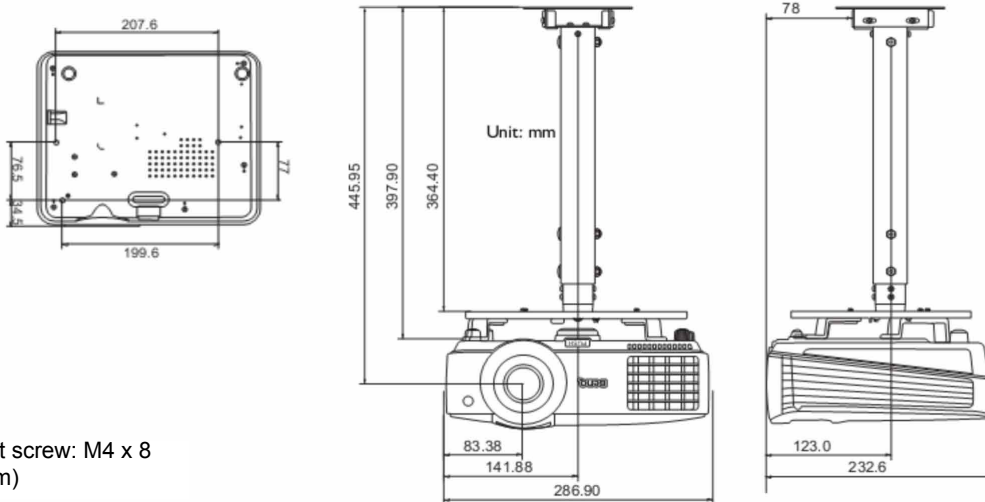
MX520 Digital Projector

Distance Chart



Screen Size				Projection distance (mm)			Vertical offset (mm)
Diagonal		W (mm)	H (mm)	Max distance	Average	Max distance	
Inch	mm			(Max zoom)		Min zoom	
30	762	610	457	1132	1189	1245	46
40	1016	813	610	1509	1585	1660	61
50	1270	1016	762	1887	1981	2075	76
60	1524	1219	914	2264	2377	2491	91
80	2032	1626	1219	3019	3170	3321	122
100	2540	2032	1524	3774	3962	4151	152
120	3048	2438	1829	4528	4755	4981	183
150	3810	3048	2286	5660	5943	6226	229
200	5080	4064	3048	7547	7925	8302	305
220	5588	4470	3353	8302	8717	9132	335
250	6350	5080	3810	9434	9906	10377	381
300	7620	6096	4572	11321	11887	12453	457

Ceiling Mount Chart



Ceiling Mount screw: M4 x 8
(Max L = 8mm)

Units: mm

Dimensions

