

# DIGITAL PROJECTOR | MX514

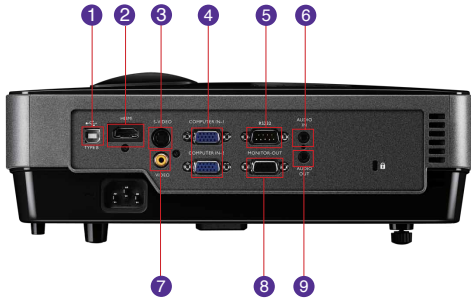


## Features

- Native XGA Resolution (1024x768)
- 2700 ANSI Lumens; 10000:1 Contrast Ratio
- Smart Eco Mode; Long Lamp Life
- HDMI x 1; Closed Captioning
- Quick Cooling; Instant Restart



## Input and Output Terminals



- |                                   |                             |
|-----------------------------------|-----------------------------|
| 1 USB (Type Mini B)               | 6 Audio In (Mini Jack)      |
| 2 HDMI (v1.3)                     | 7 Composite Video In (RCA)  |
| 3 S-Video In (Mini DIN 4pin)      | 8 Monitor Out (D-Sub 15pin) |
| 4 Computer In 1 & 2 (D-sub 15pin) | 9 Audio Out (Mini Jack)     |
| 5 RS232 (DB 9pin)                 |                             |

## Specifications

Projection System	DLP
Native Resolution	XGA(1024x768)
Brightness	2700 ANSI lumens
Contrast Ratio	10,000:1
Display Color	1.07 Billion Colors
Lens	F=2.51~2.69, f=21.95~24.18mm
Aspect Ratio	Native 4:3 (5 aspect ratio selectable)
Throw Ratio	1.97-2.17 (50" @6.56')
Image Size (Diagonal)	30" to 300"
Zoom Ratio	1.10:1
Lamp Type	190W
Lamp Life (Norm/Eco/Smart Eco)	4500/6000/6500 hours
Keystone Adjustment	Manual, Vertical ± 40 degrees
Projection Offset	120% ±5%
Resolution Support	VGA(640 x 480) to UXGA(1600 x 1200)
Horizontal Frequency	31-90KHz
Vertical Scan Rate	50-120Hz
Compatibility	HDTV Compatibility: 480i, 480p, 576i, 576p, 720p, 1080i, 1080p Video Compatibility: NTSC, PAL, SECAM 3D Compatibility: 1) PC: 120Hz Frame Sequential 3D for resolutions up to WXGA 2) PCD: 60Hz Top-bottom 3D for resolutions up to SXGA+ 3) Video: 60Hz Frame Sequential 3D for resolutions up to 480i
Interface	Computer in (D-sub 15pin) x 2(Share with component) Composite Video in (RCA) x 1 Monitor Out (D-Sub 15pin) x 1 S-Video in (Mini DIN 4pin) x 1 Audio in (Mini Jack) x 1 Audio out (Mini Jack) x 1 Speaker 2W x 1 HDMI V1.3 x 1 USB (Type Mini B) x 1 (Download & Page up/down) RS232 (DB-9pin) x 1
Dimensions (WxHxD)	11.89 x 4.88 x 9.16 inches (302 x 124 x 232.7 mm)
Weight	5.39lbs (2.45kg)
Power Supply	AC 100 to 240 V, 50 to 60 Hz
Power Consumption	245W Typical, Standby < 1 W
Audible Noise	27/25 dBA (Normal/Economic mode)
On-Screen Display Languages	English/ France/ Germany/ Italian/ Spanish/ Russian/ Traditional Chinese/ Simplified Chinese/ Japanese/ Korean/ Swedish/ Dutch/ Turkish/ Czech/ Portuguese/ Thai/ Polish/ Hungarian/ Croatian/ Romanian/ Norwegian/ Danish/ Bulgaria/ Finnish/ Indonesian/ Greek/ Hindi/ Arabic (28 Languages)
Picture Modes	Dynamic/Presentation/s, RGB/Cinema/User 1/User 2
Accessories (Standard)	Remote Control w/ Battery Power Cord User Manual CD Quick Start Guide Warranty Card VGA (D-sub 15pin) Cable
Accessories (Optional)	Spare Lamp Kit P/N: 5J.J5E05.001 Ceiling Mount P/N: 5J.J2K01.001 3D Glasses P/N: 5J.J0T14.011 Carry Bag P/N: 5J.J2V09.001
Limited Warranty	1-Year Parts/Labor; 180 days or 500 hours of lamp life

\*Lamp life results will vary depending on environmental conditions and usage. Actual product's features and specifications are subject to change without notice.

MX514 01-04-12-BQca



BenQ Canada Corp.

Tel: (416) 363-2367 www.BenQ.ca

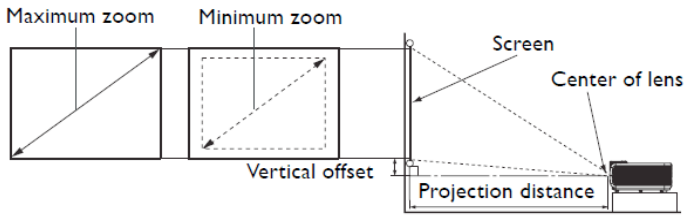
BenQ is a registered trademark of BenQ Corp. DLP is a registered trademark of Texas Instruments. All rights reserved. Corporate and trademarks are the property of their respective companies. Specifications subject to change without notice.



Enjoyment Matters

# MX514 Digital Projector

## Distance Chart

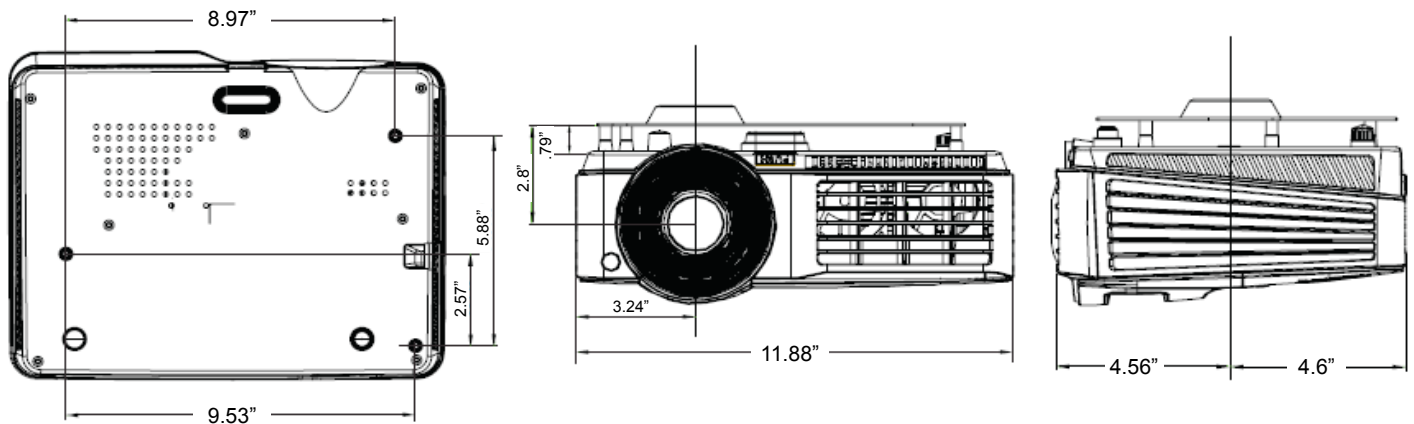


MX514/MS513

Screen size				Distance from screen (mm)			Vertical offset (mm)
Diagonal		W	H	Min length	Average	Max length	
Inch	mm	(mm)	(mm)	(max. zoom)		(min. zoom)	
30	762	610	457	1200	1260	1320	69
40	1016	813	610	1600	1680	1760	91
50	1270	1016	762	2000	2100	2200	114
60	1524	1219	914	2400	2520	2640	137
80	2032	1626	1219	3200	3360	3520	183
100	2540	2032	1524	4000	4200	4400	229
120	3048	2438	1829	4800	5040	5280	274
150	3810	3048	2286	6000	6300	6600	343
200	5080	4064	3048	8000	8400	8800	457
220	5588	4470	3353	8800	9240	9680	503
250	6350	5080	3810	10000	10500	11000	572
300	7620	6096	4572	12000	12600	13200	686

## Wall Mount Chart

Ceiling Mount Screws:  
1/8" x 5/16"



## Dimensions

