

DIGITAL
PROJECTOR

MX503

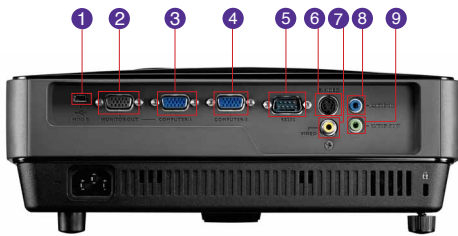


Features

- Native XGA Resolution (1024x768)
- 2700 ANSI Lumens; 13000:1 Contrast Ratio
- BrilliantColor™, Long Lamp Life
- High Contrast Ratio, 3D Ready
- Virtually Color Decay Free; SmartEco™



Input and Output Terminals



- | | |
|-----------------------------|----------------------------|
| 1 USB (Mini-B) | 6 S-Video (Mini DIN 4-pin) |
| 2 Monitor Out (D-sub 15pin) | 7 Video Out (RCA Jack) |
| 3 Computer-1 (D-sub 15pin) | 8 Audio In (Mini Jack) |
| 4 Computer-2 (D-sub 15pin) | 9 Audio Out (Mini Jack) |
| 5 RS232 (DB-9pin) | |

Specifications

Projection System	DLP
Native Resolution	XGA(1024 x 768)
Brightness	2700 ANSI lumens
Contrast Ratio	13000:1
Display Color	1.07 Billion Colors
Lens	F=2.56-2.8, f=21-23.1mm
Aspect Ratio	Native 4:3 (5 aspect ratio selectable)
Throw Ratio	1.86 - 2.04 (53"@2m)
Image Size Diagonal	40"-300"
Zoom Ratio	1.1:1
Lamp Type	190W
Lamp Life	4500/6000/6500 hours (Normal/Eco/SmartEco Mode)*
Keystone Adjustment	1D, Vertical +/- 40 degrees
Projection Offset	120% ±5%
Resolution Support	VGA(640 x 480) to UXGA(1600 x 1200)
Horizontal Frequency	31K~102KHz
Vertical Scan Rate	23~120Hz
Compatibility	HDTV Compatibility: 480i, 480p, 576i, 576p, 720p, 1080i, 1080p Video Compatibility: NTSC, PAL, SECAM 3D Compatibility: PC: 120Hz Frame Sequential 3D for resolutions up to WXGA.
Interface	Computer In (D-Sub 15pin) x2 (shared with Component) Monitor Out (D-Sub 15 pin) x1 Composite Video In (RCA) x1 S-Video In (Mini DIN 4pin) x1 Audio In (Mini Jack) x1 Audio Out (Mini Jack) x1 Speaker 2W x1 USB (Type Mini-B) x1 (Download & page up/down) RS232 (DB-9Pin) x1
Dimensions (WxHxD)	287.3x114.4x 232.6 mm
Weight	2.3kg (5.29lbs)
Power Supply	AC 100 to 240 V, 50/60 Hz
Power Consumption	275W, Standby<0.5W
Audible Noise	33/26 dBA (Normal/Economic mode)
On-Screen Display Languages	English/ France/ Germany/ Italian/ Spanish/ Russian/ Traditional Chinese/ Simplified Chinese/ Japanese/ Korean/ Swedish/ Dutch/ Turkish/ Czech/ Portuguese/ Thai/ Polish/ Hungarian/ Croatian/ Romanian/ Norwegian/ Danish/ Bulgaria/ Finnish/ Indonesian/ Greek/ Hindi/ Arabic (28 Languages)
Picture Mode	Dynamic/Presentation/sRGB/Cinema/User 1/User 2
Accessories (Standard)	Remote Control w/ Battery, Power Cord, User Manual CD, Quick Start Guide, Warranty Card, VGA (D-sub 15 pin) Cable
Accessories (Optional)	Spare Lamp Kit P/N: 5J.J6D05.001 Ceiling Mount P/N: 5J.J2K01.001 3D Glasses P/N: 5J.J0T14.011 Carrying Bag P/N: 5J.J3925.001 P/N: 5J.J3T09.001
UPC Code	8400460-2473-4
Limited Warranty	1 year parts & labor; 1 year or 2000 hours of lamp life

*Lamp life results will vary depending on environmental conditions and usage. Actual product's features and specifications are subject to change without notice.

MX503 04-16-12-BQ.ca



BenQ Canada Corp.

Tél : (416) 363-2367 www.BenQ.ca

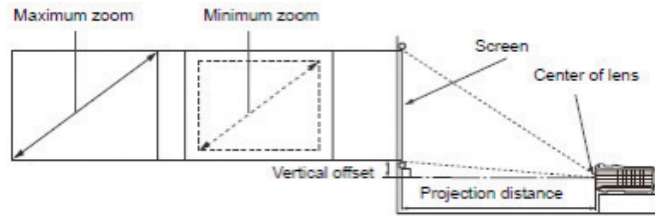
BenQ est une marque déposée de BenQ Corp. DLP™ est une marque déposée de Texas Instruments. Tous droits réservés. Les marques d'entreprise et de commerce sont la propriété de leurs sociétés respectives. Les spécifications sont sujettes à modification sans préavis.



Enjoyment Matters

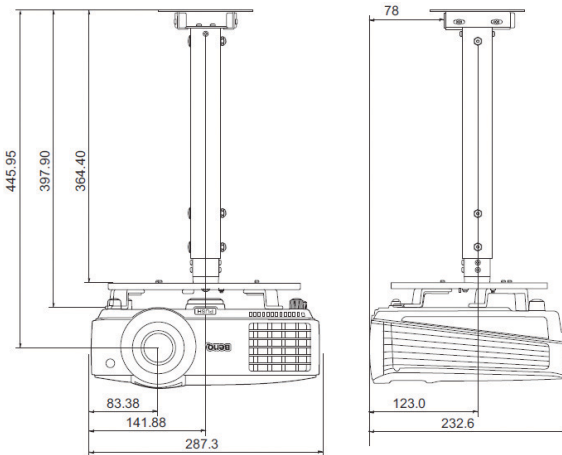
MX503 Digital Projector

Distance Chart

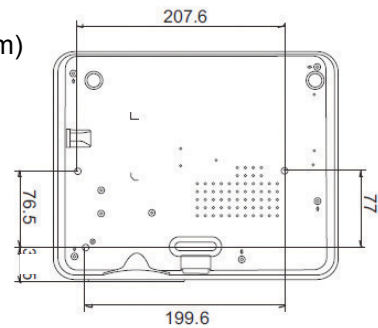


Screen Size				Distance from screen (mm)			Vertical offset (mm)
Diagonal		W (mm)	H (mm)	Min length	Average	Min length	
Inch	mm			Max zoom		Max zoom	
30	762	610	18	1132	1189	1245	46
40	1016	813	24	1509	1585	1660	61
50	1270	1016	30	1887	1981	2075	76
60	1524	1219	36	2264	2377	2491	91
80	2032	1626	48	3019	3170	3321	122
100	2540	2032	60	3774	3962	4151	152
120	3048	2438	72	4528	4755	4981	183
150	3810	3048	90	5660	5943	6226	229
200	5080	4064	120	7547	7925	8302	305
220	5588	4470	132	8302	8717	9132	335
250	6350	5080	150	9434	9906	10377	381
300	7620	6096	180	11321	11887	12453	457

Ceiling Mount Chart



Ceiling Mount Screw:
M4 x 8 (Max L = 8 mm)



Units: mm

Dimensions

