

INTERACTIVE
PROJECTOR

MW860USTi



Features

- Native WXGA (1280 x 800) Resolution
- 3000 ANSI Lumens; 2600:1 Contrast Ratio
- 0.37 Ultra Short Throw, Support Dual Pen
- Mic Input, 20 Watt speakers, Wireless Display (Optional)
- LAN Control/Display, USB Reader/Display

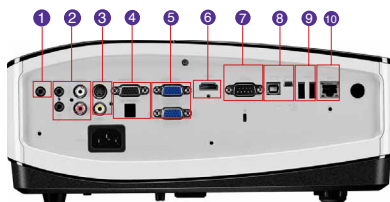
PointDraw™ Interactive 2.0 Pen



Top / Front-Left View



Input and Output Terminals



- | | |
|----------------------------------|--------------------------------|
| 1 Audio-Out x1 | 6 HDMI x1 |
| 2 Audio-In & MIC-In, Audio L/R | 7 RS-232 x1 |
| 3 S-Video/Video | 8 USB Type B & Mini B |
| 4 Monitor Out Output/12V Trigger | 9 USB Type A x2 |
| 5 Computer I & 2 | 10 RJ45 x1 (Control & Display) |

Specifications

Projection System	DLP
Native Resolution	WXGA (1280x800)
Brightness	3000 ANSI lumens
Contrast Ratio	2600:1 (Full on/Full off)
Display Color	1.07 Billion Colors
Lens	F=2.7, f=5.45mm
Aspect Ratio	Native 16:10 (5 aspect ratio selectable)
Throw Ratio	0.37 (87"@0.73m)
Image Size (Diagonal)	60~300"
Zoom Ratio	Fixed
Lamp Type	225W Philips
Lamp (Normal/Eco Mode)	2500/4000 hrs (Normal/Economic mode)
Keystone Adjustment	Vertical ±40 degrees
Projection Offset	125% ±5%
Resolution Support	VGA (640 x 480) to UXGA (1600 x 1200)
Horizontal Frequency	31K~102KHz
Vertical Scan Rate	23~120Hz
HDTV Compatibility	480i, 480p, 576i, 576p, 720p, 1080i, 1080p
Compatibility	NTSC, PAL, SECAM
3D Compatibility	PC: 120Hz Frame Sequential 3D for resolutions up to WXGA, PC: 60Hz Top-bottom 3D for resolutions up to SXGA+ Video: 60Hz Frame Sequential 3D for resolutions up to 480i
Interface	Computer in (D-sub 15pin) x 2 (Share with Component video in) Monitor out (D-sub 15pin) x 1 HDMI (V1.3) x 1 Composite Video in (RCA) x 1 S-Video in (Mini DIN 4pin) x 1 Audio in (Mini Jack) x 1 Audio L/R in (RCA) x 1 Audio out (Mini Jack) x 1 Microphone in (Mini jack) x 1 Speaker 10W x 2 LAN (RJ45) x 1 USB TypeA/TypeB/mini TypeB x2/x1/x1(download) RS232 (DB-9pin) x 1 IR Receiver x 2
Dimensions	330 x 154 x 278mm
Weight	4.1kg (9.1 lbs)
Power Supply	AC 100 to 240 V, 50/60 Hz
Power Consumption	310W, Standby<1W
Audible Noise	27/25 dBA (Normal/Economical Mode)
Display Languages	Bulgarian/ Croatian/ Czech/ Danish/ Dutch/ English/ Finnish/ French/ German/ Hungarian/ Italian/ Japanese/ Korean/ Norwegian/ Polish/ Portuguese/ Romanian/ Russian/ Simplified Chinese/Spanish/ Swedish/ Turkish/ Thai/ Traditional Chinese (24 Languages)
Picture Mode	Dynamic/Presentation/sRGB/Cinema/User 1/User 2
Accessories (Standard)	Remote Control w/ Battery, Power Cord, User Manual CD/Quick Start Guide, Warranty Card, VGA(D-sub 15pin) Cable, PD pen 2.0 x 1
Accessories (Optional)	Spare Lamp Kit P/N: 5J.J2V05.001 Wireless Dongle P/N: 5J.J0614.A21 Carry Bag P/N: 5J.J2V09.001 PD pen 2.0 Kit P/N: 5J.J0626.A11 0.6 Wall Mount P/N: 5J.J4R10.001
Limited Warranty	3-Years Parts/Labor / 1-Year or 2000 hours of lamp life

*Lamp life results will vary depending on environmental conditions and usage. Actual product's features and specifications are subject to change without notice.

MW860USTi 12-09-11-BQca



BenQ Canada Corp.

Tel: (416) 363-2367 www.BenQ.ca

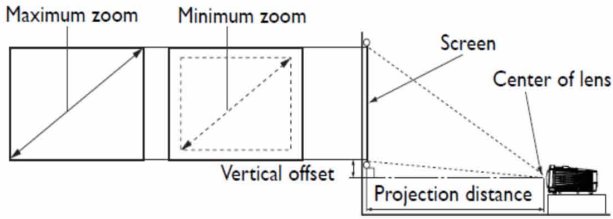
BenQ is a registered trademark of BenQ Corp. DLP is a registered trademark of Texas Instruments. All rights reserved. Product names, logos, brands, and other trademarks featured or referred to in this materials are the property of their respective trademark holders. Specifications subject to change without notice.



Enjoyment Matters

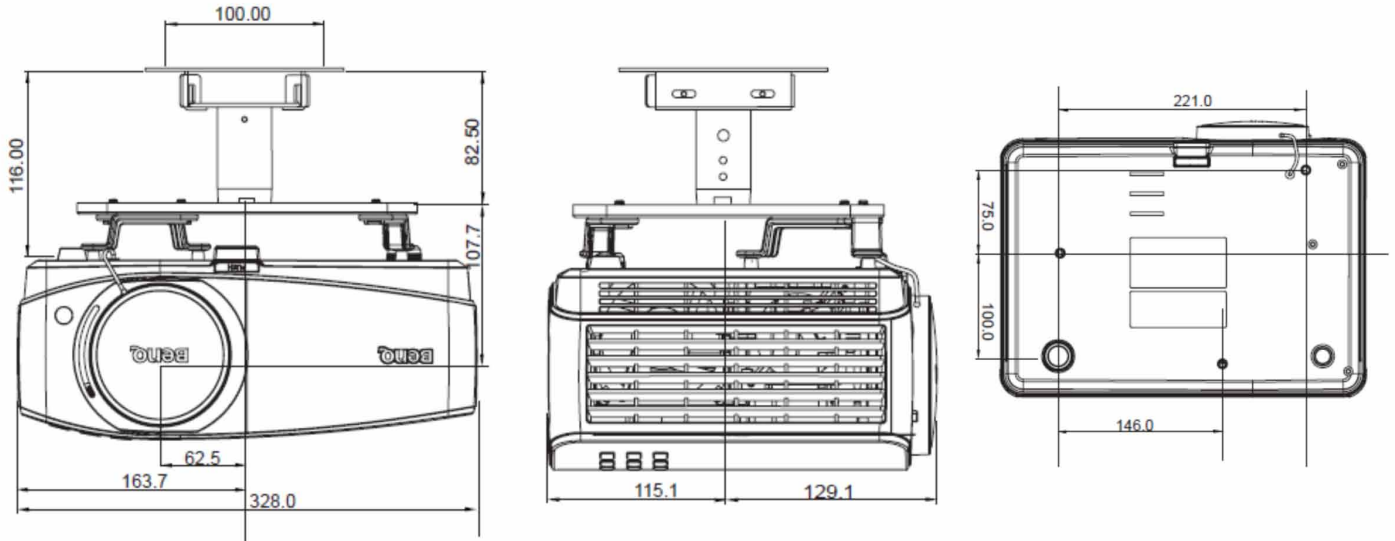
MW860USTi Digital Projector

Distance Chart



Screen size				Distance from screen (mm)	Vertical offset (mm)
Diagonal	W	H			
Inch	mm	(mm)	(mm)		
40	1016	862	538	294	67
50	1270	1077	673	381	84
60	1524	1292	808	468	101
80	2032	1723	1077	642	135
100	2540	2154	1346	817	168
120	3048	2585	1615	991	202
150	3810	3231	2019	1253	252
200	5080	4308	2692	1689	337
250	6350	5385	3365	2125	421
300	7620	6462	4039	2561	505

Wall Mount Chart



Units: mm

Dimensions

