



Features

- Native WXGA (1280 x 800) Resolution
- 3,200 ANSI Lumens, 10,000:1 High Contrast Ratio
- SmartEco™ Power Saving Technology
- Full 3D Ready
- Up to 7,000 Hours Lamp Life
- PointWrite Interactive Kit Compatible
- Wall Mount Included



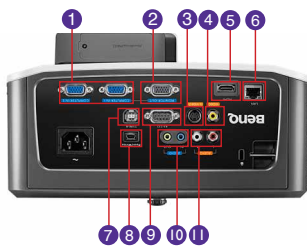
PointWrite Kit (PW01U)



Touch Module (PT01)



Input and Output Terminals



- | | |
|-----------------------------------|-----------------------------|
| 1 Computer in 1 & 2 (D-sub 15pin) | 7 USB (Type Mini B) |
| 2 Monitor Out (D-sub 15pin) | 8 PointWrite |
| 3 S-Video In (Mini DIN 4pin) | 9 RS232 (DB-9pin) |
| 4 Composite Video in (RCA) | 10 Audio In/Out (Mini Jack) |
| 5 HDMI | 11 Audio (L/R) |
| 6 LAN | |

Specifications

Projection System	DLP®	
Native Resolution	WXGA (1280 x 800)	
Brightness	3,200AL	
Contrast Ratio	10,000:1	
Display Color	1.07 Billion Colors	
Lens	F2.5, f=5.1mm	
Aspect Ratio	Native 16:10 (5 aspect ratio selectable)	
Throw Ratio	0.35	
Image Size (Diagonal)	80"~100", Optimal 87"	
Zoom Ratio	Fix	
Lamp Type	230W	
Lamp (Normal/Economic Mode)*	4000/5000/7000 hours	
Keystone Adjustment	1D, Vertical +/- 40 degrees	
Projection Offset	140% ±5%	
Resolution Support	VGA(640 x 480) to UXGA(1600 x 1200)	
Horizontal Frequency	15~102KHz	
Vertical Scan Rate	23~120Hz	
Compatibility	HDTV Compatibility: 480i, 480p, 576i, 576p, 720p, 1080i, 1080p Video Compatibility: NTSC, PAL, SECAM,	
Interface	Computer in (D-sub 15pin)	x 2(Shared with component)
	Monitor out (D-sub 15pin)	x 1
	Composite Video in (RCA)	x 1
	S-Video in (Mini DIN 4pin)	x 1
	HDMI	x 1
	Audio in (Mini Jack)	x 1
	Audio out (Mini Jack)	x 1
	Audio L/R	x 1
	Speaker	10W x 2
	USB (Type mini B)	x 1 (PointWrite interactive module)
	USB (Type B)	x 1 (FW download)
	RJ45	x 1 (LAN control)
	RS232 (DB-9pin)	x 1
	IR Receiver	x 2 (Front)
Dimensions (WxHxD)	287.5 x 373.3 x 130.2 mm (w/o Mirror) 287.5 x 373.3 x 201 mm (w Mirror)	
Weight	5KG (11.02 lbs) w/o wall mount	
Power Supply	AC100 to 240 V, 50 to 60 Hz	
Power Consumption	typical 290W, stanby power <0.5W	
Audible Noise	33/29 dBA (Normal/Economic mode)	
Languages	Arabic/Bulgarian/ Croatian/ Czech/ Danish/ Dutch/ English/ Finnish/ French/ German/ Greek/ Hindi/ Hungarian/ Italian/ Indonesian/ Japanese/ Korean/ Norwegian/ Polish/ Portuguese/ Romanian/ Russian/ Simplified Chinese/Spanish/ Swedish/ Turkish/ Thai/ Traditional Chinese (28 Languages)	
Picture Mode	Dynamic/Presentation/sRGB/Cinema/(3D)/User 1/User 2	
Accessories (Standard)	Remote Control w/ Battery, Power Cord, User Manual CD Quick Start Guide, Warranty Card, VGA(D-sub 15pin) Cable Dust filter(C SKU), Wall mount installation guide	
Accessories (Optional)	Spare Lamp Kit	P/N: 5J.J8M05.011
	3D Glasses (DGD24)	P/N: 5J.J7L25.002
	PointWrite Kit (PW01U)	P/N: 5J.J8L26.20E
	PointWrite Pen Only	P/N: 5J.J9A26.001
	Touch Module	P/N: 5J.J8L26.10E
UPC / Part #	8400460-3029-2 / 9H.J8L77.24A	
Limited Warranty	3 Years Parts/Labor; 1 Year or 2000 Hours of Lamp Life	

*Lamp life results will vary depending on environmental conditions and usage. Actual product's features and specifications are subject to change without notice.



MW853UST 08-28-14-BQca

BenQ Canada Corp.

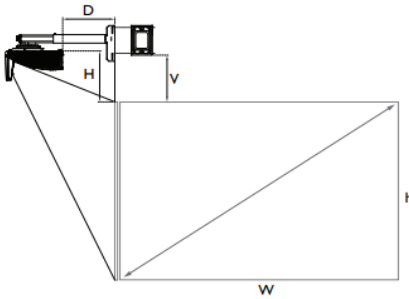
Tel: (416) 363-2367 www.BenQ.ca

BenQ is a registered trademark of BenQ Corp. All rights reserved. Product names, logos, brands, and other trademarks featured or referred to in the materials are the property of their respective trademark holders. Specifications subject to change without notice.

Because it matters

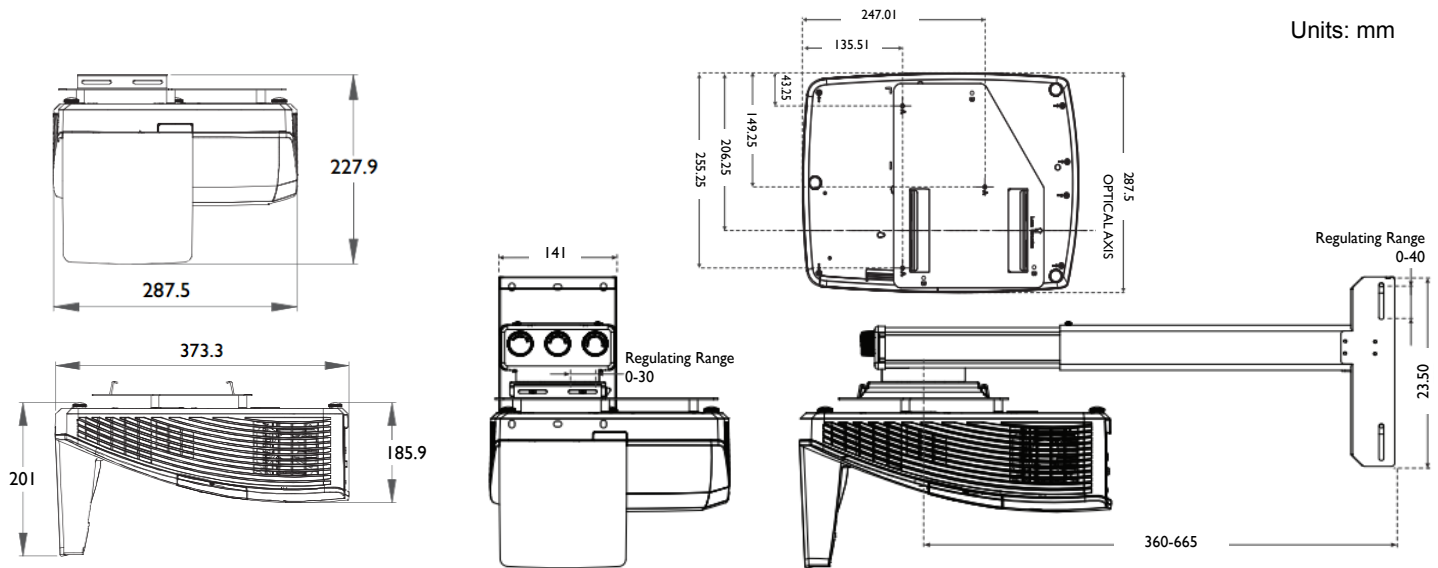
MW853UST Digital Projector

Distance Chart



WXGA											
Screen size (Diagonal)		Screen size Width (W)		Screen size Height (h)		Projection distance (D)		Offset (H)		Scale parameter	Distance between Wall plate & projection screen (V)
inch	mm	inch	mm	inch	mm	inch	mm	inch	mm	inch	
80	2032	67	1723	42	1077	11.11	282.3	11.02	280	495	254.7
85	2159	71	1831	45	1144	12.73	323.3	11.59	294.3	535	269
87	2210	73	1874	46	1171	13.40	340.3	11.82	300.2	555	274.9
90	2286	76	1939	47	1212	14.38	365.3	12.16	308.9	580	283.6
92	2337	77	1982	48	1239	15.01	381.3	12.38	314.4	600	289.1
95	2413	80	2046	50	1279	15.98	405.8	12.72	323	625	297.7
97	2464	81	2089	51	1306	16.65	422.8	12.95	328.9	645	303.6
100	2540	85	2154	53	1346	17.55	445.8	13.26	336.9	665	311.6

Ceiling Mount Chart



Dimensions



Because it matters