

DIGITAL  
PROJECTOR

# MW821ST

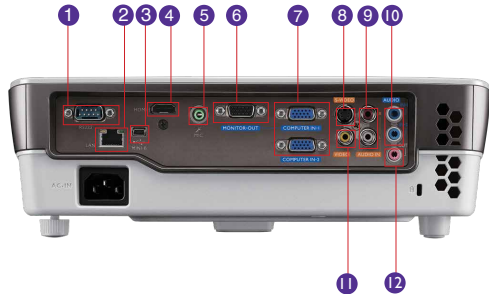


## Features

- WXGA Native Resolution (1280x800)
- 3,000 Ansi Lumens, 13,000:1 Contrast Ratio
- PointDraw 3.0 Ready, 0.49 Short Throw Ratio
- SmartEco™ Power Saving Technology
- DLP® 3D via PC & Blu-Ray/DVD Player
- LAN Control and LAN Display



## Input and Output Terminals



- |                             |                                   |
|-----------------------------|-----------------------------------|
| 1 RS232 (DB-9pin)           | 7 Computer In 1 & 2 (D-sub 15pin) |
| 2 LAN (RJ45)                | 8 S-Video In (Mini DIN 4pin)      |
| 3 USB Mini B                | 9 Audio In L/R (RCA)              |
| 4 HDMI                      | 10 Audio In 1 & 2 (Mini Jack)     |
| 5 Audio In (Mini Jack)      | 11 Composite Video In (RCA)       |
| 6 Monitor Out (D-sub 15pin) | 12 Audio Out (Mini Jack)          |



## Specifications

|                                    |   |
|------------------------------------|---|
| Projection System                  | DLP®  |
| Native Resolution                  | WXGA (1280x800)   |
| Brightness                         | 3000 ANSI Lumens  |
| Contrast Ratio                     | 13000:1   |
| Display Color                      | 1.07 Billion Colors   |
| Lens                               | F=2.6, f=6.9mm  |
| Aspect Ratio                       | Native 16:10 (5 aspect ratio selectable)  |
| Throw Ratio                        | 0.49 (87" @ 0.91m)  |
| Image Size (Diagonal)              | 50~300"   |
| Zoom Ratio                         | Fixed   |
| Lamp Type                          | 210W  |
| Lamp Life (Nor/Eco/Smart Eco Mode) | 4000/5000/6500 hours  |
| Keystone Adjustment                | 1D, Vertical +/- 30 degrees   |
| Projection Offset                  | 110% ±5%  |
| Resolution Support                 | VGA(640 x 480) to UXGA(1600 x 1200)   |
| Horizontal Frequency               | 31K~102KHz  |
| Vertical Scan Rate                 | 23~120Hz  |
| Compatibility                      | HDTV Compatibility: 480i, 480p, 576i, 576p, 720p, 1080i, 1080p<br>Video Compatibility: NTSC, PAL, SECAM<br>3D Compatibility:<br>PC: 120Hz Frame Sequential 3D for resolutions up to WXGA,<br>PC: 60Hz Top-bottom 3D for resolutions up to SXGA+<br>Video: 60Hz Frame Sequential 3D for resolutions up to 480i   |
| Interface                          | Computer in (D-sub 15pin) x 2 (shared with Component video)<br>Monitor out (D-sub 15pin) x 1<br>HDMI x 1<br>Composite Video in (RCA) x 1<br>S-Video in (Mini DIN 4pin) x 1<br>Audio in (Mini Jack) x 2<br>Audio L/R in (RCA) x 1<br>Audio out (Mini Jack) x 1<br>Speaker 10W x 1<br>Microphone in (Mini jack) x 1<br>RJ45 x 1 (LAN control, LAN display, audio)<br>USB (Type mini B) x 1 (Download & page/down)<br>RS232 x 1<br>IR Receiver x 2 (Front+Top) |
| Dimensions (WxHxD)                 | 312 x 104 x 244 mm (12.28x 4.09 x 9.6 inches)   |
| Weight                             | 2.94 kg (6.5 lbs)   |
| Power Supply                       | AC 100 to 240 V, 50/60 Hz   |
| Power Consumption                  | 300W, Standby<1W  |
| Audible Noise                      | 33/29 dBA (Normal/Economic mode)  |
| On-Screen Display Languages        | Arabic/Bulgarian/ Croatian/ Czech/ Danish/ Dutch/ English/ Finnish/ French/ German/ Greek/ Hindi/ Hungarian/ Italian/ Indonesian/ Japanese/ Korean/ Norwegian/ Polish/ Portuguese/ Romanian/ Russian/ Simplified Chinese/Spanish/ Swedish/ Turkish/ Thai/ Traditional Chinese (28 Languages)  |
| Picture Mode                       | Dynamic/Presentation/sRGB/Cinema/3D/User 1/User 2   |
| Accessories (Standard)             | Lens Cover, Remote Control w/ Battery, Power Cord, User Manual CD, Quick Start Guide, Warranty Card, VGA (D-sub 15 pin) Cable   |
| Accessories (Optional)             | Spare Lamp Kit P/N: 5J.J8E05.001<br>Ceiling Mount P/N: 5J.J4N10.001<br>Wall Mount P/N: 5J.J8E10.001<br>3D Glasses P/N: 5J.J7L25.002<br>Carry Bag P/N: 5J.J3T09.001<br>PD3.0 Pen Kit P/N: 5J.J8E26.A01<br>PD03_Pen P/N: 5J.J8E26.A11   |
| Limited Warranty                   | 3 Years Parts/Labor; 1 Year or 2000 hours of lamp life  |

\*Lamp life results will vary depending on environmental conditions and usage. Actual product's features and specifications are subject to change without notice.

MW821ST I0-15-14-BQca



BenQ Canada Corp.

Tel: (416) 363-2367 www.BenQ.ca

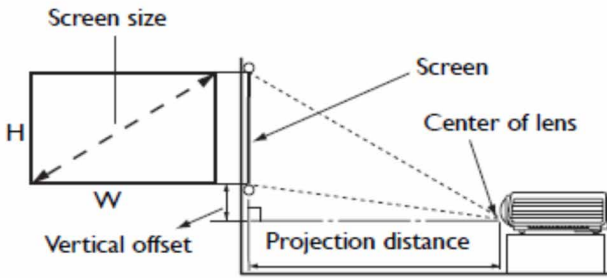
BenQ is a registered trademark of BenQ Corp. DLP is a registered trademark of Texas Instruments. All rights reserved. Product names, logos, brands, and other trademarks featured or referred to in this material are the property of their respective trademark holders. Specifications subject to change without notice.



Because it matters

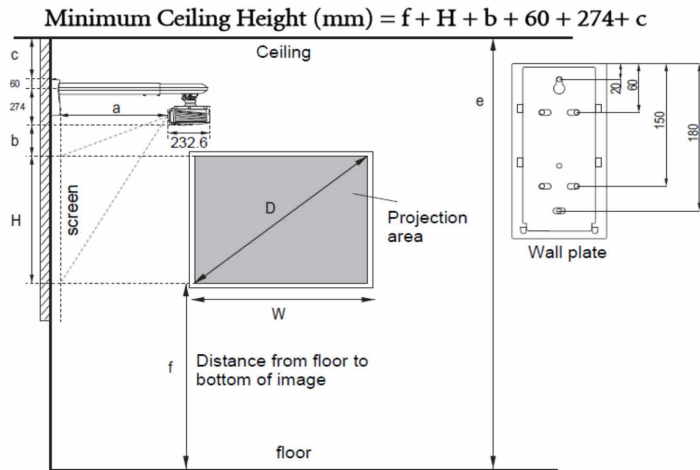
# MW82 IST Digital Projector

## Distance Chart



| Screen Size |      |        |        | Distance from screen (mm) | Vertical offset (mm) |
|-------------|------|--------|--------|---------------------------|----------------------|
| Diagonal    |      | W (mm) | H (mm) |                           |                      |
| Inch        | mm   |        |        |                           |                      |
| 80          | 2032 | 1723   | 1077   | 842                       | 54                   |
| 100         | 2540 | 2154   | 1346   | 1053                      | 67                   |
| 120         | 3048 | 2585   | 1615   | 1263                      | 81                   |
| 150         | 3810 | 3231   | 2019   | 1579                      | 101                  |
| 180         | 4572 | 3877   | 2423   | 1895                      | 121                  |
| 200         | 5080 | 4308   | 2692   | 2105                      | 135                  |
| 220         | 5588 | 4739   | 2962   | 2316                      | 148                  |
| 240         | 6096 | 5169   | 3231   | 2526                      | 162                  |
| 270         | 6858 | 5816   | 3635   | 2842                      | 182                  |
| 300         | 7620 | 6462   | 4039   | 3158                      | 202                  |

## Wall Mount Chart



| Computer Resolution: WXGA<br>Image Resolution: WXGA | Diagram Reference | SMART Board 685 | Promethean ActivBoard 387 | Hitachi FX-TRIO-88W | Hitachi FX-DUO-88W |
|---|-------------------|-----------------|---------------------------|---------------------|--------------------|
| Image Diagonal (inches)                             | D                 | 87              | 87                        | 88                  | 88                 |
| Image Height (mm)                                   | H                 | 1171            | 1171                      | 1181                | 1181               |
| Image Width (mm)                                    | W                 | 1874            | 1874                      | 1887                | 1887               |
| Distance from floor to bottom of image (mm)         | f                 | 900             | 900                       | 900                 | 900                |
| Distance from screen surface to projector lens (mm) | a                 | 916             | 916                       | 926                 | 926                |
| Distance from top case to the top of image (mm)     | b                 | 6.8             | 6.8                       | 7.5                 | 7.5                |
| Distance from top of wall mount to ceiling (mm)     | c                 | 50              | 50                        | 50                  | 50                 |
| Minimum Ceiling Height (mm)                         | e                 | 2461.8          | 2461.8                    | 2472.5              | 2472.5             |

## Dimensions

Units: mm



Because it matters