

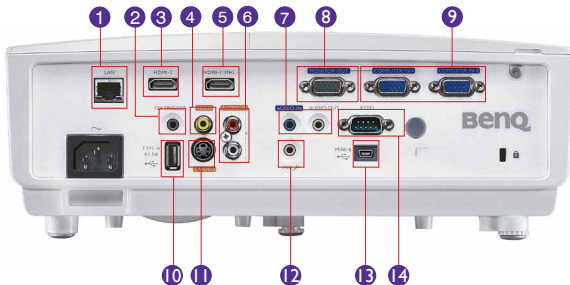


## Features

- Native WXGA Resolution (1280x800)
- 4,200 ANSI Lumens
- 11,000:1 Contrast Ratio
- SmartEco™ Power Saving Technology
- Dual HDMI with MHL
- 2D Keystone with Corner Fit
- LAN Control and Display
- Optional Wireless Display



## Input and Output Terminals



- |                              |                                    |
|------------------------------|------------------------------------|
| 1 LAN                        | 8 Monitor Out (D-sub 15pin)        |
| 2 12V Trigger                | 9 Computer In -1 / 2 (D-sub 15pin) |
| 3 HDMI-2                     | 10 USB (Type A)                    |
| 4 Composite Video in (RCA)   | 11 S-Video (Mini DIN 4-pin)        |
| 5 HDMI-1/MHL                 | 12 Mic                             |
| 6 Audio in (L/R)             | 13 USB (Type mini-B)               |
| 7 Audio In & Out (Mini Jack) | 14 RS232 (DB-9pin)                 |



## Specifications

Projection System	DLP
Native Resolution	WXGA (1280x800)
Brightness	4,200 ANSI Lumen
Contrast Ratio	11,000:1
Display Color	1.07 Billion Colors
Lens	F=2.59~2.91, f=16.87~21.87mm
Aspect Ratio	Native 16:10 (5 aspect ratio selectable)
Throw Ratio	1.2-1.57(77" @2m)
Image Size Diagonal	50" ~ 300"
Zoom Ratio	1.3x
Lamp Type	280W
Lamp(Normal/Economic/SmartEco Mode)*	3000/4000/6000 hours
Keystone Adjustment	2D, Vertical & Horizontal ± 30 degrees
Projection Offset	Vertical: 123% ±5%
Resolution Support	VGA(640 x 480) to WXGA (1600 x 1200)
Horizontal Frequency	15K-102KHz
Vertical Scan Rate	23-120Hz
Compatibility	HDTV Compatibility: 480i, 480p, 576i, 576p, 720p, 1080i, 1080p Video Compatibility: NTSC, PAL, SECAM 3D Compatibility: Frame Sequential: Up to 60Hz 720p Frame Packing: Up to 24 Hz 1080p Side by Side: Up to 24Hz 1080p Top Bottom: Up to 60Hz 1080p
Interface	Computer in (D-sub 15pin) x 2 HDMI x 2 (HDMI with MHL2.0 x1, HDMI x 1) MHL x 1 (HDMI with MHL2.0) Monitor out x 1 Composite Video in (RCA) x 1 S-Video in x 1 Audio in (Mini Jack) x 1 Audio in (L/R) x 1 Audio out (Mini Jack) x 1 Microphone in (Mini jack) x 1 10W Speaker x 1 LAN(RJ-45) x 1 (LAN Control & LAN Display) USB (Type A) x 1 USB (Type Mini B) x 1 DC 12V Trigger (3.5mm Jack) x 1 RS232 (DB-9pin) x 1 IR Receiver x 2 (Front+Rear)
Dimensions (WxHxD)	314.2x116x216.3mm (with feet)
Weight	3.3 Kg (7.28 lbs)
Power Supply	AC100 to 240V, 3.9A, 50 to 60 Hz
Power Consumption	370W(Normal), 310W(Eco), Standby<0.5W
Audible Noise	37/34 dBA (Normal/Economic mode)
On-Screen Display Languages	Arabic/Bulgarian/ Croatian/ Czech/ Danish/ Dutch/ English/ Finnish/ French/ German/ Greek/ Hindi/ Hungarian/ Italian/ Indonesian/ Japanese/ Korean/ Norwegian/ Polish/ Portuguese/ Romanian/ Russian/ Simplified Chinese/Spanish/ Swedish/ Turkish/ Thai/ Traditional Chinese (28 Languages)
Picture Mode	Dynamic/Presentation/sRGB/Cinema/User 1/User 2
Accessories (Standard)	Carry bag, Power Cord, Remote Control w Battery, VGA cable, User Manual CD, QSG, Lens Cover, Warranty Card
Accessories (Optional)	Spare Lamp Kit P/N: 5J.JCM05.001 Ceiling Mount P/N: 5J.J4N10.001 Carry bag P/N: 5J.J4R09.001 3D Glasses P/N: 5J.J9H25.001
UPC Code / Part #	8400460-3090-2 / 9H.JCN77.23A
Limited Warranty	3 Years Parts & Labor / 1 Year or 2,000 hours of lamp life

\*Lamp life results will vary depending on environmental conditions and usage. Actual product's features and specifications are subject to change without notice.

MX726 11-24-14-BQca



BenQ Canada Corp.

Tel: (416) 363-2367 www.BenQ.ca

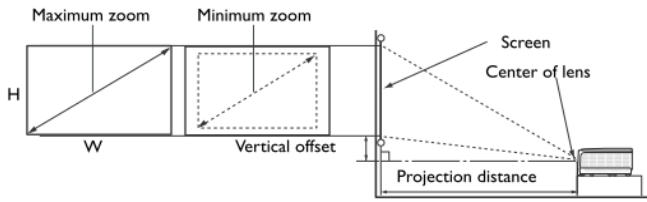
BenQ is a registered trademark of BenQ Corp. DLP is a registered trademark of Texas Instruments. All rights reserved. Product names, logos, brands, and other trademarks featured or referred to in this material are the property of their respective trademark holders. Specifications subject to change without notice.



Because it matters

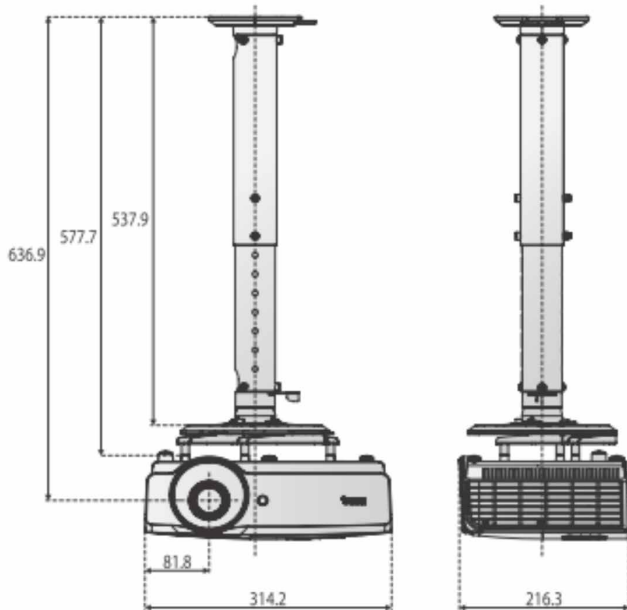
# MW727 Digital Projector

## Distance Chart



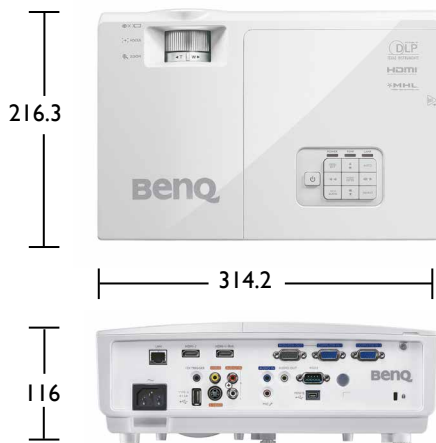
Screen Size				Distance from screen (mm)			offset (mm)
Inch	mm	W (mm)	H (mm)	Min length	Average	Min length	A (mm) @ Wide mode
60	1524	1292	808	1551	1790	2029	92
70	1778	1508	942	1809	2088	2367	107
80	2032	1723	1077	2068	2387	2705	122
90	2286	1939	1212	2326	2685	3043	138
100	2540	2154	1346	2585	2983	3382	153
110	2794	2369	1481	2843	3281	3720	168
120	3048	2585	1615	3102	3580	4058	183
130	3302	2800	1750	3360	3878	4396	199
140	3556	3015	1885	3619	4176	4734	214
150	3810	3231	2019	3877	4475	5072	229
160	4064	3446	2154	4136	4773	5411	244
170	4318	3662	2289	4394	5071	5749	260
180	4572	3877	2423	4652	5370	6087	275
190	4826	4092	2558	4911	5668	6425	290
200	5080	4308	2692	5169	5966	6763	306
250	6350	5385	3365	6462	7458	8454	382
300	7620	6462	4039	7754	8950	10145	458

## Ceiling Mount Chart



## Dimensions

Units: mm



Because it matters