

DIGITAL PROJECTOR | MW721

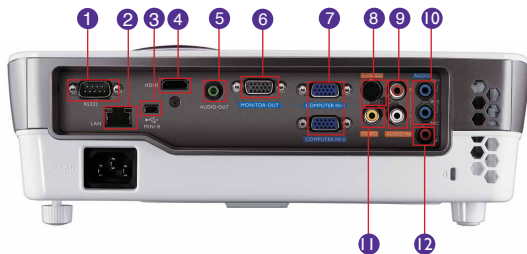


Features

- Native WXGA (1280 x 800) Resolution
- 3,500 ANSI Lumens, 13,000:1 Contrast Ratio
- Up to 6,000 Hours Long Lamp Life
- SmartEco™ Power Saving Technology
- LAN Control and LAN Display function



Input and Output Terminals



- | | |
|-----------------------------|-----------------------------------|
| 1 RS232 (DB-9pin) | 7 Computer In 1 & 2 (D-sub 15pin) |
| 2 LAN (RJ45) | 8 S-Video In (Mini DIN 4pin) |
| 3 USB (Type Mini B) | 9 Audio In L/R (RCA) |
| 4 HDMI | 10 Audio In (Mini Jack) |
| 5 Audio Out (Mini Jack) | 11 Composite Video In (RCA) |
| 6 Monitor Out (D-sub 15pin) | 12 Microphone in |

Specifications

Projection System	DLP®	
Native Resolution	WXGA (1280x800)	
Brightness	3500AL	
Contrast Ratio	13000:1	
Display Color	1.07 Billion Colors	
Lens	F2.59~2.87, f=16.88~21.88mm	
Aspect Ratio	Native 16:10 (5 aspect ratio selectable)	
Throw Ratio	1.21~1.57(76.5"@2m)	
Image Size (Diagonal)	44"-300"	
Zoom Ratio	1.3:1	
Lamp Type	240W	
Lamp Life	3500/5000/6000 hours	
Keystone Adjustment	1D, Vertical +/- 40 degrees	
Projection Offset	120%±5%	
Resolution Support	VGA(640 x 480) to UXGA(1600 x 1200)	
Horizontal Frequency	15-102KHz	
Vertical Scan Rate	23-120Hz	
Compatibility	HDTV Compatibility: 480i, 480p, 576i, 576p, 720p, 1080i, 1080p Video Compatibility: NTSC, PAL, SECAM	
Interface	Computer in (D-sub 15pin)	x 2(Share with component)
	Monitor out (D-sub 15pin)	x 1
	Composite Video in (RCA)	x 1
	S-Video in (Mini DIN 4pin)	x 1
	HDMI	x 1
	Audio in (Mini Jack)	x 2
	Audio in (L/R)	x 1
	Audio out (Mini Jack)	x 1
	Speaker	10W x 1
	USB (Type mini B)	x1 (Download & page/down)
	RJ45	x 1 (LAN Control & LAN Display)
	RS232 (DB-9pin)	x 1
	IR Receiver	x 2
Dimensions (WxHxD)	311 x 104 x 244 mm	
Weight	2.9kg (6.41 lbs)	
Power Supply	AC100 to 240V, 3.5A, 50 to 60 Hz	
Power Consumption	375W(Max), Standby<0.5W	
Audible Noise	33/30 dBA (Normal/Economic mode)	
On-Screen Display Languages	Arabic/Bulgarian/ Croatian/ Czech/ Danish/ Dutch/ English/ Finnish/ French/ German/ Greek/ Hindi/ Hungarian/ Italian/ Indonesian/ Japanese/ Korean/ Norwegian/ Polish/ Portuguese/ Romanian/ Russian/ Simplified Chinese/Spanish/ Swedish/ Turkish/ Thai/ Traditional Chinese (28 Languages)	
Picture Modes	Dynamic/Presentation/sRGB/Cinema/User 1/User 2	
Accessories (Standard)	Lens Cover, Remote Control w/ Battery, Power Cord (by region), User Manual CD, Quick Start Guide, Warranty Card (by region) Carry bag, VGA(D-sub 15pin) Cable	
Accessories (Optional)	Spare Lamp Kit	P/N: 5J.J6P05.001
	Ceiling Mount	P/N: 5J.J4N10.001
	3D Glasses	P/N: 5J.J7L25.002
	Carry Bag	P/N: 5J.J3T09.001
UPC Code / Part #	8400460-2496-3 / 9H.J6M77.14A	
Limited Warranty	3-Year Parts & Labor / 1-Year or 2000 hours of lamp life	

*Lamp life results will vary depending on environmental conditions and usage. Actual product's features and specifications are subject to change without notice.



MW721 10-15-14-BQca



BenQ Canada Corp.

Tel: (416) 363-2367 www.BenQ.ca

BenQ is a registered trademark of BenQ Corp. DLP® is a registered trademark of Texas Instruments. All rights reserved. Product names, logos, brands, and other trademarks featured or referred to in this material are the property of their respective trademark holders. Specifications subject to change without notice.

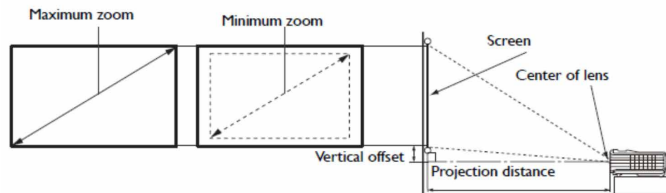


Because it matters

MW721 Digital Projector

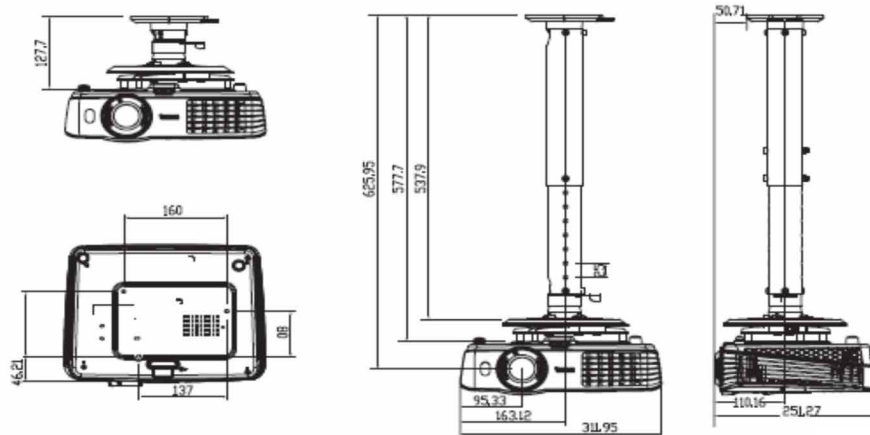
Distance Chart

Screen Size				Distance from screen (mm)			Vertical offset (mm)
Diagonal		W (mm)	H (mm)	Min length (Max zoom)	Average	Min length (Max zoom)	
Inch	mm						
40	1016	862	538	1046	1203	1359	54
50	1270	1077	673	1307	1503	1699	67
60	1524	1292	808	1569	1804	2039	81
80	2032	1723	1077	2092	2405	2719	108
100	2540	2154	1346	2614	3007	3399	135
120	3048	2585	1615	3137	3608	4078	162
150	3810	3231	2019	3922	4510	5098	202
200	5080	4308	2692	5229	6013	6797	269
220	5588	4739	2962	5752	6614	7477	296
250	6350	5385	3365	6536	7516	8497	337
300	7620	6462	4572	11321	11887	12453	457



Wall Mount Chart

Ceiling Mount screw: M4
(Max L = 25 mm; Min L = 20 mm)



Unit: mm

Dimensions



Because it matters