

DIGITAL  
PROJECTOR

# MW665

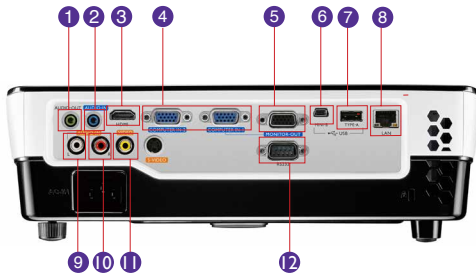


## Features

- Native WXGA (1280x800) Resolution
- 3,200 ANSI Lumens; 13,000:1 Contrast Ratio
- Up to 10,000 Hours Long Lamp Life
- SmartEco™ Power Saving Technology
- 3D PC & Blu-Ray Ready
- Wireless Display / USB Reader & Display



## Input and Output Terminals



- |                                 |                             |
|---------------------------------|-----------------------------|
| 1 Audio In (Mini Jack)          | 7 USB (Type A)              |
| 2 Audio Out (Mini Jack)         | 8 LAN                       |
| 3 HDMI/MHL                      | 9 Audio in L/R (RCA)        |
| 4 Computer In 1/2 (D-sub 15pin) | 10 Composite Video in (RCA) |
| 5 Monitor Out (D-sub 15pin)     | 11 S-Video (Mini DIN 4-pin) |
| 6 USB (Type Mini-B)             | 12 RS232 (DB-9pin)          |



## Specifications

Projection System	DLP®
Native Resolution	WXGA (1280x800)
Brightness	3,200AL
Contrast Ratio	13,000:1
Display Color	1.07 Billion Colors
Lens	F2.59-2.87 f=16.88-21.88 mm
Aspect Ratio	Native 16:10 (5 aspect ratio selectable)
Throw Ratio	1.31~1.57(71" @ 2m)
Image Size Diagonal	44"-300"
Zoom Ratio	1.3:1
Lamp Type	210W
Lamp(Normal/Economic/SmartEco/LampSave)*	4000/5000/6500/10000 hours constant brightness
Keystone Adjustment	2D, Vertical +/- 30 degrees, Horizontal +/- 25 degrees, under 3D timing only Vertical +/- 30 degrees
Projection Offset	120% ±5%
Resolution Support	VGA(640 x 480) to UXGA(1600 x 1200)
Horizontal Frequency	15K~102KHz
Vertical Scan Rate	23~120Hz
Compatibility	HDTV Compatibility: 480i, 480p, 576i, 576p, 720p, 1080i, 1080p Video Compatibility: NTSC, PAL, SECAM 3D Compatibility: Frame Sequential: Up to 60Hz 720p Frame Packing: Up to 24Hz 1080p Side by Side: Up to 60Hz 1080i Top Bottom: Up to 24Hz 1080p
Interface	Computer in (D-sub 15pin) x 2 (Share with component) Monitor out (D-sub 15pin) x 1 HDMI x1 Composite Video in (RCA) x 1 S-Video in (Mini DIN 4pin) x 1 Audio in (Mini Jack) x 1 Audio out (Mini Jack) x 1 Audio L/R in (RCA) x 1 Speaker 2W x 1 USB (Type A) x 1 (USB Reader & Wireless Display) USB (Type Mini-B) x 1 (Download & UBS display) RS232 (DB-9pin) x 1 RJ45 x 1 IR Receiver x2 (Front+Rear)
Dimensions (WxHxD)	311.95 x 104.07 x 244.11 mm (w/ feet)
Weight	2.65 kg (5.84 lbs)
Power Supply	AC100 to 240 V, 50 to 60 Hz
Power Consumption	295W, Standby<0.5W
Audible Noise	33/28 dBA (Normal/Economic mode)
On-Screen Display Languages	Arabic/Bulgarian/ Croatian/ Czech/ Danish/ Dutch/ English/ Finnish/ French/ German/ Greek/ Hindi/ Hungarian/ Italian/ Indonesian/ Japanese/ Korean/ Norwegian/ Polish/ Portuguese/ Romanian/ Russian/ Simplified Chinese/Spanish/ Swedish/ Turkish/ Thai/ Traditional Chinese (28 Languages)
Picture Mode	Dynamic/Presentation/sRGB/Cinema/User 1/User 2
Accessories (Standard)	Carry Bag, Remote Control w/ Battery, Power Cord, User Manual CD Quick Start Guide, Warranty Card, VGA(D-sub 15pin) Cable
Accessories (Optional)	Spare Lamp Kit P/N: 5J.J9W05.001 Ceiling Mount P/N: 5J.J4N10.001 3D Glasses P/N: 5J.J7L25.002
UPC Code / Part #	8400460-2848-0 / 9H.J9W77.13E
Limited Warranty	3 Years Parts & Labor / 1 Year or 2000 Hours of Lamp Life

\*Lamp life results will vary depending on environmental conditions and usage. Actual product's features and specifications are subject to change without notice.



BenQ Canada Corp.

Tel: (416) 363-2367 www.BenQ.ca

BenQ is a registered trademark of BenQ Corp. DLP is a registered trademark of Texas Instruments. All rights reserved. Product names, logos, brands, and other trademarks featured or referred to in this material are the property of their respective trademark holders. Specifications subject to change without notice.  
MW665 030315\_BQca

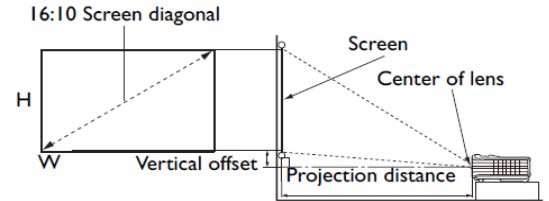


Because it matters

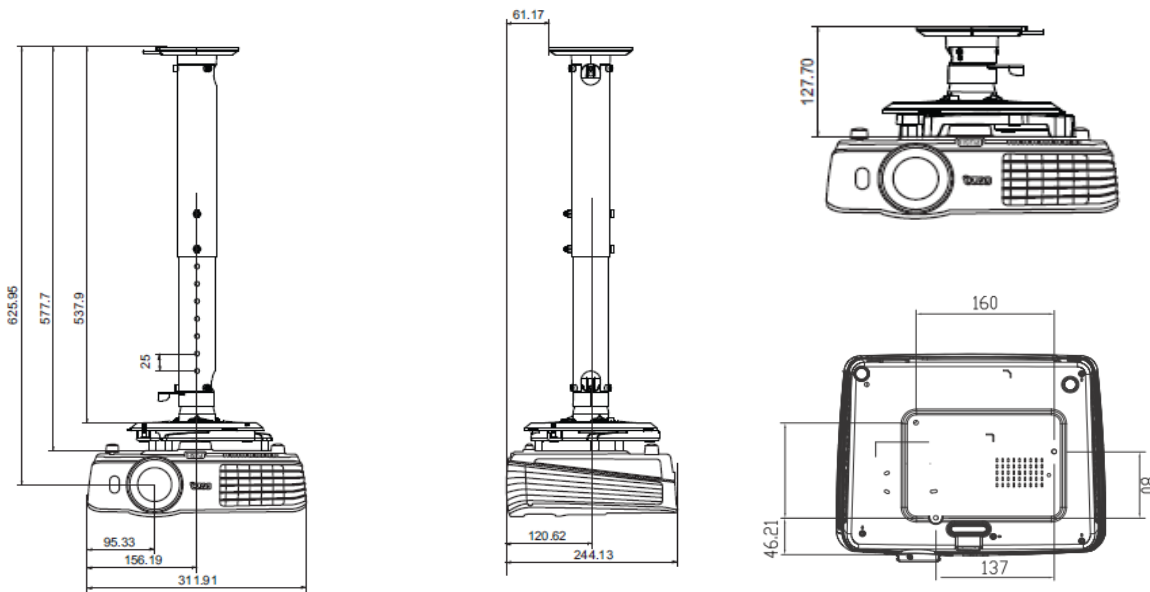
# MW665 Digital Projector

## Distance Chart

Screen Size				Projection distance (mm)			Vertical offset (mm)
Diagonal		W (mm)	H (mm)	Min distance max zoom	Average	Max distance min zoom	
Inch	mm						
60	1524	1292	808	1569	1804	2039	81
70	1778	1508	942	1830	2105	2379	94
80	2032	1723	1077	2092	2405	2719	108
90	2286	1939	1212	2353	2706	3059	121
100	2540	2154	1346	2614	3007	3399	135
110	2794	2369	1481	2876	3307	3739	148
120	3048	2585	1615	3137	3608	4078	162
130	3302	2800	1750	3399	3908	4418	175
140	3556	3015	1885	3660	4209	4758	188
150	3810	3231	2019	3922	4510	5098	202
160	4064	3446	2154	4183	4810	5438	215
170	4318	3662	2289	4444	5111	5778	229



## Ceiling Mount Chart



Units: mm

## Dimensions



Because it matters