

DIGITAL  
PROJECTOR

# MW663

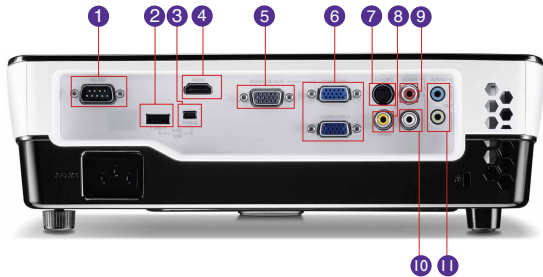


## Features

- Native WXGA Resolution (1280x800)
- 3000 ANSI Lumens; 13,000:1 Contrast Ratio
- SmartEco™ Power Saving Technology, Instant Restart
- DLP® 3D via PC & Blu-Ray/DVD Player
- Wireless display with Qpresenter App



## Input and Output Terminals



- |                   |                            |
|-------------------|----------------------------|
| 1 RS232 (DB-9pin) | 7 S-Video (Mini DIN 4-pin) |
| 2 USB (Type A)    | 8 Composite Video          |
| 3 USB (Mini-B)    | 9 Audio L/R in (RCA)       |
| 4 HDMI (x1)       | 10 Audio in (Mini Jack)    |
| 5 Monitor out     | 11 Audio out (Mini Jack)   |
| 6 Computer in     |                            |

## Specifications

Projection System	DLP®
Native Resolution	WXGA(1280 x 800)
Brightness	3000 ANSI lumens
Contrast Ratio	13000:1
Display Color	1.07 Billion Colors
Lens	F2.59-2.87, f=16.88-21.88 mm
Aspect Ratio	Native 16:10 (5 aspect ratio selectable)
Throw Ratio	1.21-1.57(76.5" @ 2m)
Image Size Diagonal	44"-300"
Zoom Ratio	1.3:1
Lamp Type	210W
Lamp Life*	3500/5000/6500 hours (Normal/Eco/SmartEco Mode)
Keystone Adjustment	1D, Vertical +/- 40 degrees
Projection Offset	120% ±5%
Resolution Support	VGA(640 x 480) to UXGA(1600 x 1200)
Horizontal Frequency	31K~102KHz
Vertical Scan Rate	23~120Hz
Compatibility	HDTV Compatibility: 480i, 480p, 576i, 576p, 720p, 1080i, 1080p Video Compatibility: NTSC, PAL, SECAM
Interface	Computer in (D-sub 15pin) x 2 (Share with component) Monitor out (D-sub 15pin) x 1 HDMI x 1 Composite Video in (RCA) x 1 S-Video in (Mini DIN 4pin) x 1 Audio in (Mini Jack) x 1 Audio L/R in (RCA) x 1 Audio out (Mini Jack) x 1 Speaker 2W x 1 USB (Type A) x 1 (USB Reader & Wireless Display) USB (Type mini B) x 1 (Download & UBS display) RS232 (DB-9pin) x 1 IR Receiver x2 (Front+Top)
Dimensions (WxHxD)	312 x 104 x 244 mm
Weight	2.75 kg
Power Supply	AC 100 to 240 V, 50/60 Hz
Power Consumption	303W, Standby<0.5W
Audible Noise	32/28 dBA (Normal/Economic mode)
On-Screen Display Languages	Arabic/Bulgarian/ Croatian/ Czech/ Danish/ Dutch/ English/ Finnish/ French/ German/ Greek/ Hindi/ Hungarian/ Italian/ Indonesian/ Japanese/ Korean/ Norwegian/ Polish/ Portuguese/ Romanian/ Russian/ Simplified Chinese/Spanish/ Swedish/ Turkish/ Thai/ Traditional Chinese (28 Languages)
Picture Mode	Dynamic/Presentation/sRGB/Cinema/User 1/User 2
Accessories (Standard)	Remote Control w/ Battery, Power Cord, User Manual CD, Quick Start Guide, Warranty Card, VGA (D-sub 15 pin) Cable, Carry Bag
Accessories (Optional)	Spare Lamp Kit P/N: 5J.J8J05.001 Ceiling Mount P/N: 5J.J4N10.001 3D Glasses P/N: 5J.J7K25.001 Wireless Dongle_WDRL3070 P/N: 5J.J0614.A21
UPC Code	8400460-2662-2
Limited Warranty	3 years parts & labor; 1 year or 2000 hours of lamp life

\*Lamp life results will vary depending on environmental conditions and usage. Actual product's features and specifications are subject to change without notice.



BenQ Canada Corp.

Tél : (416) 363-2367 www.BenQ.ca

BenQ est une marque déposée de BenQ Corp. DLP® est une marque déposée de Texas Instruments. Tous droits réservés. Les marques d'entreprise et de commerce sont la propriété de leurs sociétés respectives. Les spécifications sont sujettes à modification sans préavis.

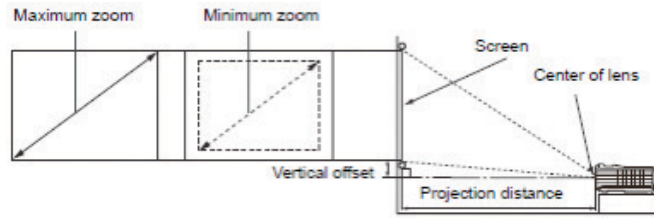
MX663 04-30-13-BQca



Enjoyment Matters

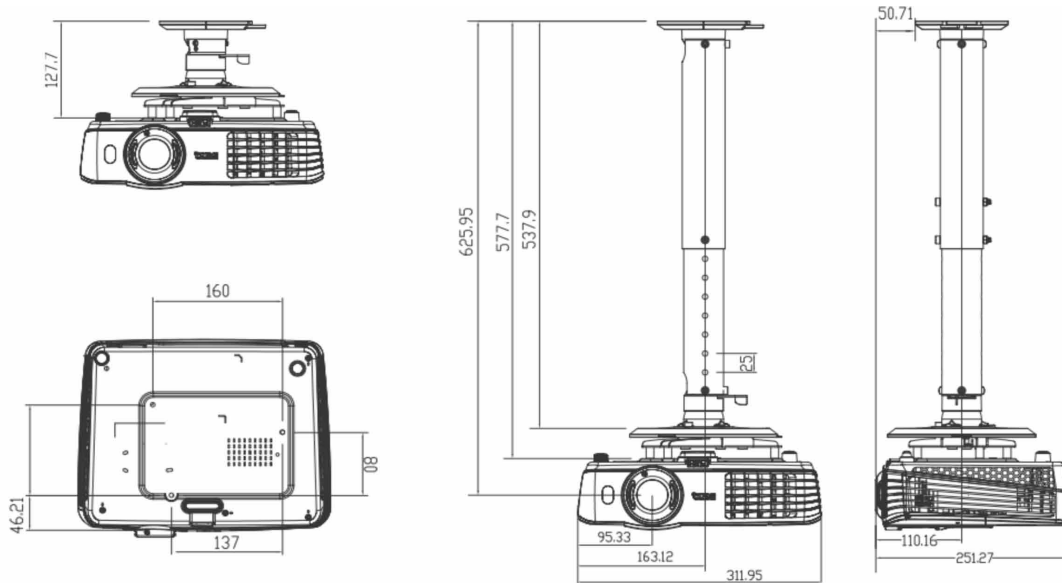
# MW663 Digital Projector

## Distance Chart



Screen Size				Distance from screen (mm)			Vertical offset (mm)
Diagonal		W (mm)	H (mm)	Min length	Average	Min length	
Inch	mm			Max zoom		Max zoom	
40	1016	813	610	1509	1585	1660	61
50	1270	1016	762	1887	1981	2075	76
60	1524	1219	914	2264	2377	2491	91
80	2032	1626	1219	3019	3170	3321	122
100	2540	2032	1524	3774	3962	4151	152
120	3048	2438	1829	4528	4755	4981	183
150	3810	3048	2286	5660	5943	6226	229
200	5080	4064	3048	7547	7925	8302	305
220	5588	4470	3353	8302	8717	9132	335
250	6350	5080	3810	9434	9906	10377	381
300	7620	6096	4572	11321	11887	12453	457

## Ceiling Mount Chart



Units: mm

## Dimensions

