

DIGITAL
PROJECTOR

MW621ST

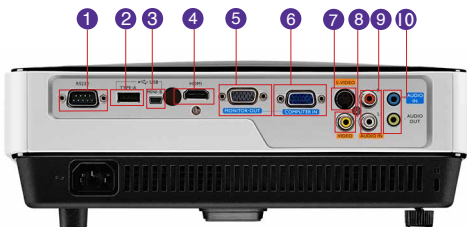


Features

- Native WXGA (1280x800) Resolution
- 3,000 ANSI Lumens; 13,000:1 Contrast Ratio
- Wireless Display / USB Reader & Display
- Up to 10,000 Hours Long Lamp Life
- SmartEco™ Power Saving Technology
- 3D PC & Blu-Ray Ready
- 10W Speaker



Input and Output Terminals



- | | |
|-----------------------------|-----------------------------|
| 1 RS232 (DB-9pin) | 6 Computer in (D-sub 15pin) |
| 2 USB (Type A) | 7 S-Video (Mini DIN 4-pin) |
| 3 USB (Type Mini-B) | 8 Composite Video in |
| 4 HDMI | 9 Audio in L/R (RCA) |
| 5 Monitor Out (D-sub 15pin) | 10 Audio In/Out (Mini Jack) |



Specifications

Projection System	DLP®
Native Resolution	WXGA (1280x800)
Brightness	3,000AL
Contrast Ratio	13,000:1
Display Color	1.07 Billion Colors
Lens	F=2.6-2.78, f=10.2-12.24mm
Aspect Ratio	Native 16:10 (5 aspect ratio selectable)
Throw Ratio	0.72~0.87 (64"±3% @ 1m)
Image Size Diagonal	30"~300"
Zoom Ratio	1.2:1
Lamp Type	190W
Lamp(Normal/Economic/Smart-Eco/ LampSave)*	4500/6000/6500/10000 hours
Keystone Adjustment	1D, Vertical +/- 40 degrees
Projection Offset	100%±5%
Resolution Support	VGA(640 x 480) to UXGA(1600 x 1200)
Horizontal Frequency	15~102KHz
Vertical Scan Rate	23~120Hz
Compatibility	HDTV Compatibility: 480i, 480p, 576i, 576p, 720p, 1080i, 1080p Video Compatibility: NTSC, PAL, SECAM 3D Compatibility: Frame Sequential: Up to 720p Frame Packing: Up to 1080p Side by Side: Up to 1080i/p Top Bottom: Up to 1080p
Interface	Computer in (D-sub 15pin) x 1(Share with component) Monitor out (D-sub 15pin) x 1 Composite Video in (RCA) x 1 S-Video in (Mini DIN 4pin) x 1 HDMI x1 Audio in (Mini Jack) x 1 Audio out (Mini Jack) x 1 Audio L/R in (RCA) x 1 Speaker 10W x 1 USB (Type A) x1 (USB Reader & Wireless Display <AP mode>) USB (Type Mini-B) x 1 (Download & Page up/down/USB Display) RS232 (DB-9pin) x 1 IR Receiver x2 (Front+Rear)
Dimensions (WxHxD)	287.3 x 114.4x 232.6 mm (w/ feet)
Weight	2.6kg (5.06lbs)
Power Supply	AC100 to 240 V, 50 to 60 Hz
Power Consumption	247W(typical), 206W (Eco), Standby<0.5W
Audible Noise	33/28 dBA (Normal/Economic mode)
On-Screen Display Languages	Arabic/Bulgarian/ Croatian/ Czech/ Danish/ Dutch/ English/ Finnish/ French/ German/ Greek/ Hindi/ Hungarian/ Italian/ Indonesian/ Japanese/ Korean/ Norwegian/ Polish/ Portuguese/ Romanian/ Russian/ Simplified Chinese/Spanish/ Swedish/ Turkish/ Thai/ Traditional Chinese (28 Languages)
Picture Mode	Dynamic/Presentation/sRGB/Cinema/User 1/User 2
Accessories (Standard)	Lens Cover, Remote Control w/ Battery, Power Cord, User Manual CD, Quick Start Guide, Warranty Card, VGA (D-sub 15 pin) Cable
Accessories (Optional)	Spare Lamp Kit P/N: 5J.JAR05.001 Ceiling Mount P/N: 5J.J4N10.001 3D Glasses P/N: 5J.J7L25.002 Carry Bag P/N: 5J.J4R09.001 Wireless Transceiver (WDR8192) P/N: 5J.J3F28.A01
UPC Code / Part #	8400460-2951-7 / 9H.JAR77.13A
Limited Warranty	1 Year Parts & Labor / 180 Days or 500 Hours of Lamp Life

*Lamp life results will vary depending on environmental conditions and usage. Actual product's features and specifications are subject to change without notice.

MW621ST 10-15-14-BQC



BenQ Canada Corp.

Tel: (416) 363-2367 www.BenQ.ca

BenQ is a registered trademark of BenQ Corp. DLP is a registered trademark of Texas Instruments. All rights reserved. Product names, logos, brands, and other trademarks featured or referred to in this material are the property of their respective trademark holders. Specifications subject to change without notice.

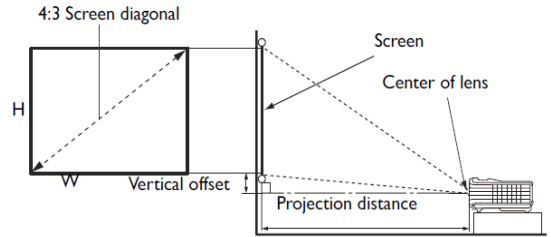


Because it matters

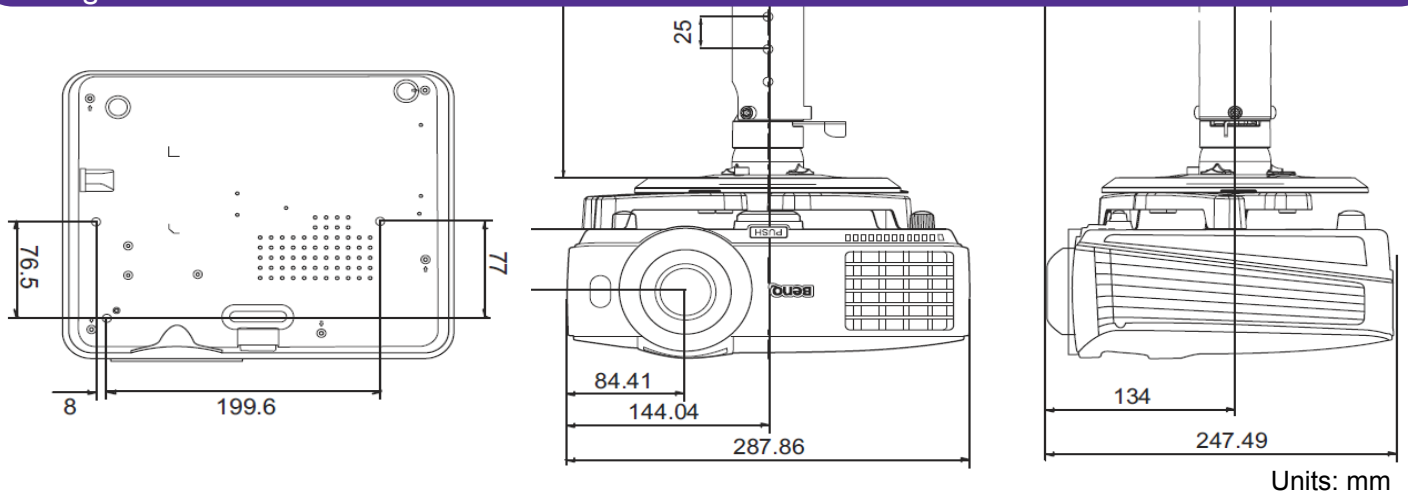
MW621ST Digital Projector

Distance Chart

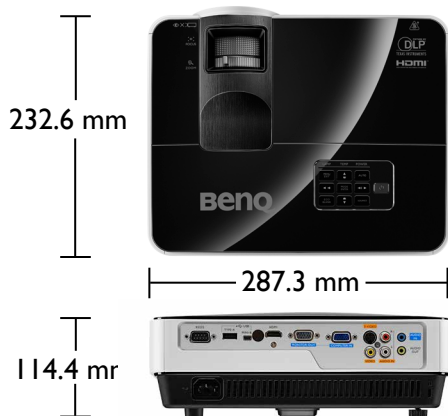
Screen Size				Distance from screen (mm)			Vertical offset (mm)
Diagonal		W (mm)	H (mm)	Min length Max zoom	Average	Min length Max zoom	
Inch	mm						
30	762	646	404	469	516	563	10
40	1016	862	538	625	688	750	13
50	1270	1077	673	781	859	938	17
60	1524	1292	808	938	1031	1125	20
70	1778	1508	942	1094	1203	1313	24
80	2032	1723	1077	1250	1375	1500	27
90	2286	1939	1212	1406	1547	1688	30
100	2540	2154	1346	1563	1719	1875	34
110	2794	2369	1481	1719	1891	2063	37
120	3048	2585	1615	1875	2063	2250	40
130	3302	2800	1750	2031	2234	2438	44
140	3556	3015	1885	2188	2406	2625	47
150	3810	3231	2019	2344	2578	2813	50
160	4064	3446	2154	2500	2750	3000	54
170	4318	3662	2289	2656	2922	3188	57
180	4572	3877	2423	2813	3094	3375	61
190	4826	4092	2558	2969	3266	3563	64
200	5080	4308	2692	3125	3438	3750	67
250	6350	5385	3365	3906	4297	4688	84
300	7620	6462	4039	4688	5156	5625	101



Ceiling Mount Chart



Dimensions



Because it matters