

DIGITAL
PROJECTOR

MS619ST

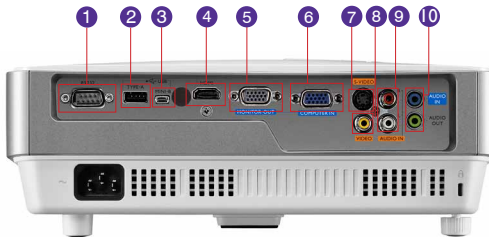


Features

- Native SVGA (800x600) Resolution
- 3,000 ANSI Lumens; 13,000:1 Contrast Ratio
- Up to 10,000 Hours Long Lamp Life
- SmartEco™ Power Saving Technology
- Various 3D Format for Entertainment
- 10W Speaker



Input and Output Terminals



- | | |
|-----------------------------|-----------------------------|
| 1 RS232 (DB-9pin) | 6 Computer-In (D-sub 15pin) |
| 2 USB (Type A) | 7 S-Video (Mini DIN 4-pin) |
| 3 USB (Mini-B) | 8 Composite Video in |
| 4 HDMI | 9 Audio in / L/R (RCA) |
| 5 Monitor Out (D-sub 15pin) | 10 Audio In/Out (Mini Jack) |

Specifications

Projection System	DLP®
Native Resolution	SVGA (800x600)
Brightness	3000AL
Contrast Ratio	13000:1
Display Color	1.07 Billion Colors
Lens	F=2.6-2.78, f=10.2-12.24mm
Aspect Ratio	Native 4:3 (5 aspect ratio selectable)
Throw Ratio	0.9~1.08 (54.5"±3% @ 1m)
Image Size Diagonal	30"~300"
Zoom Ratio	1.2:1
Lamp Type	190W
Lamp(Normal/Economic/SmartEco/LampCareMode)*	4500/6000/6500/10000 hours
Keystone Adjustment	1D, Vertical +/- 40 degrees
Projection Offset	110%±5%
Resolution Support	VGA(640 x 480) to UXGA(1600 x 1200)
Horizontal Frequency	15~102KHz
Vertical Scan Rate	23~120Hz
Compatibility	HDTV Compatibility: 480i, 480p, 576i, 576p, 720p, 1080i, 1080p Video Compatibility: NTSC, PAL, SECAM
Interface	Computer in (D-sub 15pin) x 1(Share with component) Monitor out (D-sub 15pin) x 1 Composite Video in (RCA) x 1 S-Video in (Mini DIN 4pin) x 1 HDMI x 1 Audio in (Mini Jack) x 1 Audio out (Mini Jack) x 1 Audio L/R in (RCA) x 1 Speaker 10W x 1 USB (Type A) x 1 (Download & page/down) RS232 (DB-9pin) x 1 IR Receiver x 2 (Front+Rear)
Dimensions (WxHxD)	287.3 x 114.4x 232.6 mm (w/ feet)
Weight	2.6kg (5.06lbs)
Power Supply	AC100 to 240 V, 50 to 60 Hz
Power Consumption	270W(typical), 220W (Eco), Standby<0.5W
Audible Noise	33/28 dBA (Normal/Economic mode)
On-Screen Display Languages	Arabic/Bulgarian/ Croatian/ Czech/ Danish/ Dutch/ English/ Finnish/ French/ German/ Greek/ Hindi/ Hungarian/ Italian/ Indonesian/ Japanese/ Korean/ Norwegian/ Polish/ Portuguese/ Romanian/ Russian/ Simplified Chinese/Spanish/ Swedish/ Turkish/ Thai/ Traditional Chinese (28 Languages)
Picture Mode	Dynamic/Presentation/sRGB/Cinema/User 1/User 2
Accessories (Standard)	Lens Cover, Remote Control w/ Battery, Power Cord, User Manual CD, Quick Start Guide, Warranty Card, VGA (D-sub 15 pin) Cable
Accessories (Optional)	Spare Lamp Kit P/N: 5J.J6L05.001 Ceiling Mount P/N: 5J.J4N10.001 3D Glasses P/N: 5J.J7K25.001 Carry Bag P/N: 5J.J4R09.001
UPC Code / Part #	8400460-2857-2 / 9H.J9T77.13A
Limited Warranty	1 Year Parts & Labor / 180 Days or 500 Hours Lamp Life

*Lamp life results will vary depending on environmental conditions and usage. Actual product's features and specifications are subject to change without notice.

HDMI
HIGH-DEFINITION MULTIMEDIA INTERFACE

NEW 3D

SmartEco™

10,000 hours lamp life



BenQ Canada Corp.

Tel: (416) 363-2367 www.BenQ.ca

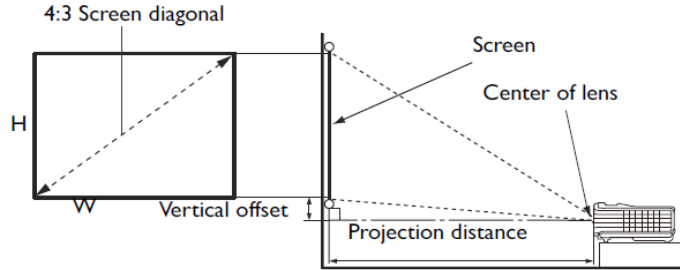
BenQ is a registered trademark of BenQ Corp. DLP® is a registered trademark of Texas Instruments. All rights reserved. Product names, logos, brands, and other trademarks featured or referred to in this materials are the property of their respective trademark holders. Specifications subject to change without notice.

MS619ST 09-16-13-BQca

BenQ

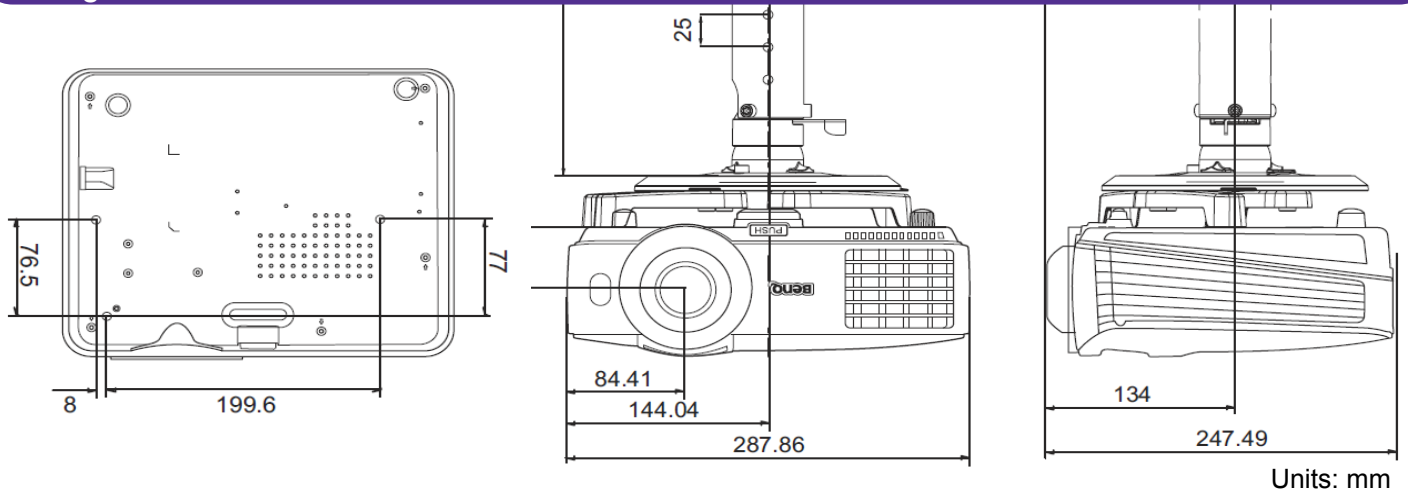
MS619ST Digital Projector

Distance Chart



Screen Size				Distance from screen (mm)			Vertical offset (mm)
Diagonal		W (mm)	H (mm)	Min length	Average	Min length	
Inch	mm			Max zoom		Max zoom	
40	1016	813	610	734	807	881	30
50	1270	1016	762	917	1009	1101	38
60	1524	1219	914	1101	1211	1321	46
80	2032	1626	1219	1468	1615	1761	61
100	2540	2032	1524	1835	2018	2202	76
120	3048	2438	1829	2202	2422	2642	91
150	3810	3048	2286	2752	3028	3303	114
200	5080	4064	3048	3670	4037	4404	152
220	5588	4470	3353	4037	4440	4844	168
250	6350	5080	3810	4587	5046	5505	191
300	7620	6096	4572	5505	6055	6606	229

Ceiling Mount Chart



Dimensions

