

DIGITAL
PROJECTOR

MS517

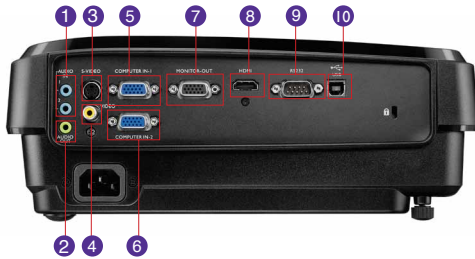


Features

- Native SVGA Resolution (800x600)
- 2800 ANSI Lumens; 13,000:1 Contrast Ratio
- SmartEco™ Power Saving Technology
- Up to 6500 Hours Long Lamp Life
- Instant Restart & HDMI
- Various 3D Format for Entertainment



Input and Output Terminals



- | | |
|----------------------------|-----------------------------|
| 1 Audio In 1&2 (Mini Jack) | 6 Computer-2 (D-sub 15pin) |
| 2 Audio Out (Mini Jack) | 7 Monitor Out (D-sub 15pin) |
| 3 S-Video (Mini DIN 4-pin) | 8 HDMI |
| 4 Video Out (RCA Jack) | 9 RS232 (DB-9pin) |
| 5 Computer-1 (D-sub 15pin) | 10 USB (Mini-B) |

Specifications

Projection System	DLP
Native Resolution	SVGA(800 x 600)
Brightness	2800AL
Contrast Ratio	13,000:1
Display Color	1.07 Billion Colors
Lens	F=2.51~2.69 f=21.95mm~24.18mm
Aspect Ratio	Native 4:3 (5 aspect ratio selectable)
Throw Ratio	1.97-2.17 (50" @ 2m)
Image Size Diagonal	37"~300"
Zoom Ratio	1.1:1
Lamp Type	190W
Lamp Life*	4500/6000/6500 hours
Keystone Adjustment	1D, Vertical +/- 40 degrees
Projection Offset	130% ±5%
Resolution Support	VGA(640 x 480) to UXGA(1600 x 1200)
Horizontal Frequency	15~102KHz
Vertical Scan Rate	23~120Hz
Compatibility	HDTV Compatibility: 480i, 480p, 576i, 576p, 720p, 1080i, 1080p Video Compatibility: NTSC, PAL, SECAM
Interface	Computer In (D-Sub 15pin) x2 (shared with Component) Monitor Out (D-Sub 15 pin) x1 Composite Video In (RCA) x1 S-Video In (Mini DIN 4pin) x1 HDMI x 1 Audio In (Mini Jack) x2 Audio Out (Mini Jack) x1 Speaker 2W x1 USB (Type B) x1 (Download & page up/down) RS232 (DB-9Pin) x1 IR Receiver x 1 (Front)
Dimensions (WxHxD)	302.8 x 111.8x 221.8 mm
Weight	2.3kg (5.06lbs)
Power Supply	AC100 to 240 V, 50 to 60 Hz
Power Consumption	245W (typical), Standby<0.5W
Audible Noise	32/30 dBA (Normal/Economic mode)
On-Screen Display Languages	Arabic/Bulgarian/ Croatian/ Czech/ Danish/ Dutch/ English/ Finnish/ French/ German/ Greek/ Hindi/ Hungarian/ Italian/ Indonesian/ Japanese/ Korean/ Norwegian/ Polish/ Portuguese/ Romanian/ Russian/ Simplified Chinese/Spanish/ Swedish/ Turkish/ Thai/ Traditional Chinese (28 Languages)
Picture Mode	Dynamic/Presentation/sRGB/Cinema/User 1/User 2
Accessories (Standard)	Lens Cover, Remote Control w/ Battery, Power Cord (by region) User Manual CD, Quick Start Guide, Warranty Card (by region) VGA(D-sub 15pin) Cable
Accessories (Optional)	Spare Lamp Kit 5J.J6L05.001 Ceiling Mount 5J.J4N10.001 3D Glasses 5J.J7K25.001 Carry bag 5J.J4R09.001
UPC Code	8400460-2494-9
Limited Warranty	1 year parts & labor; 180 days / 500 hours of lamp life

*Lamp life results will vary depending on environmental conditions and usage. Actual product's features and specifications are subject to change without notice.



MS517 03-29-13-BQca



BenQ Canada Corp.

Tél : (416) 363-2367 www.BenQ.ca

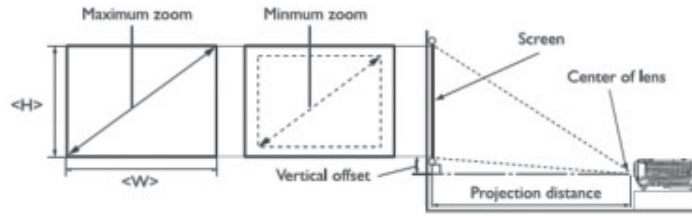
BenQ est une marque déposée de BenQ Corp. DLP™ est une marque déposée de Texas Instruments. Tous droits réservés.
Les marques d'entreprise et de commerce sont la propriété de leurs sociétés respectives. Les spécifications sont sujettes à modification sans préavis.



Enjoyment Matters

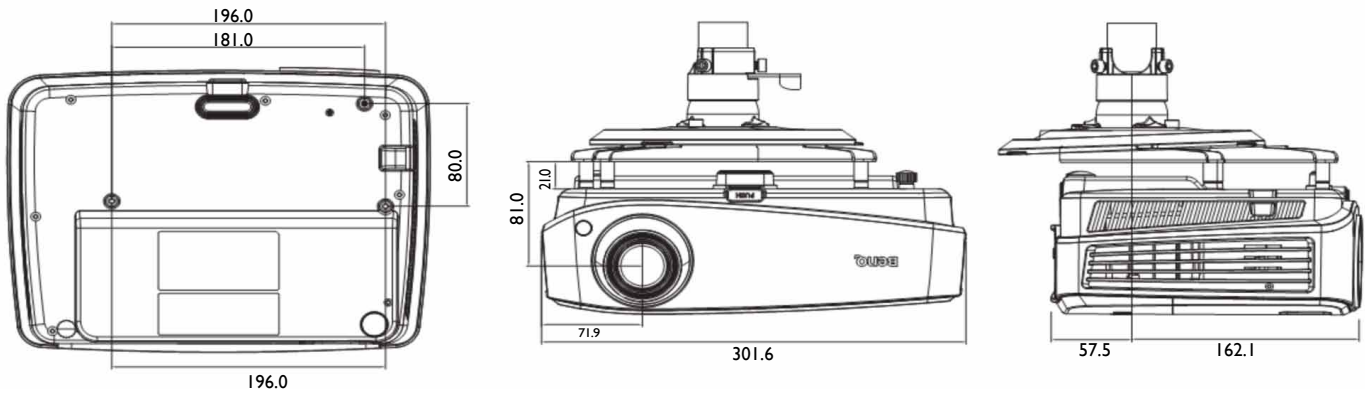
MS517 Digital Projector

Distance Chart



Screen Size				Distance from screen (mm)			Vertical offset (mm)
Diagonal		W (mm)	H (mm)	Min length (Max zoom)	Average	Max length (Min. zoom)	
Inch	mm			Min length (Max zoom)		Max length (Min. zoom)	
30	762	610	457	1200	1260	1320	69
40	1016	813	610	1600	1680	1760	91
50	1270	1016	762	2000	2100	2200	114
60	1524	1219	914	2400	2520	2640	137
80	2032	1626	1219	3200	3360	3520	183
100	2540	2032	1524	4000	4200	4400	229
120	3048	2438	1829	4800	5040	5280	274
150	3810	3048	2286	6000	6300	6600	343
200	5080	4064	3048	8000	8400	8800	457
220	5588	4470	3353	8800	9240	9680	503
250	6350	5080	3810	10000	10500	11000	572
300	7320	6096	4572	12000	12600	13200	686

Ceiling Mount Chart



Units: mm

Dimensions

