

DIGITAL
PROJECTOR

MS502

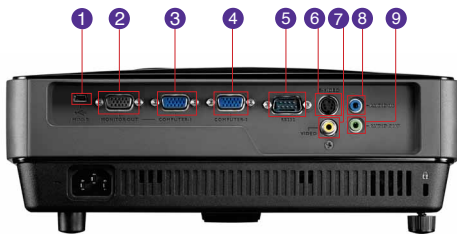


Features

- Native SVGA Resolution (800x600)
- 2700 ANSI Lumens; 13000:1 Contrast Ratio
- BrilliantColor™, Long Lamp Life
- High Contrast Ratio, 3D Ready
- Virtually Color Decay Free; SmartEco™



Input and Output Terminals



- | | |
|-----------------------------|----------------------------|
| 1 USB (Mini-B) | 6 S-Video (Mini DIN 4-pin) |
| 2 Monitor Out (D-sub 15pin) | 7 Video Out (RCA Jack) |
| 3 Computer-1 (D-sub 15pin) | 8 Audio In (Mini Jack) |
| 4 Computer-2 (D-sub 15pin) | 9 Audio Out (Mini Jack) |
| 5 RS232 (DB-9pin) | |

Specifications

| | |
|-----------------------------|---|
| Projection System | DLP |
| Native Resolution | SVGA (800 x 600) |
| Brightness | 2700 ANSI Lumens |
| Contrast Ratio | 13000:1 |
| Display Color | 1.07 Billion Colors |
| Lens | F=2.56-2.8, f=21-23.1mm |
| Aspect Ratio | Native 4:3 (5 aspect ratio selectable) |
| Throw Ratio | 1.86 - 2.04 (53" @ 2m) |
| Image Size Diagonal | 40"-300" |
| Zoom Ratio | 1.1:1 |
| Lamp Type | 190W |
| Lamp Life | 4500/6000/6500 hours (Normal/Eco/SmartEco Mode)* |
| Keystone Adjustment | 1D, Vertical +/- 40 degrees |
| Projection Offset | 120% ±5% |
| Resolution Support | VGA (640 x 480) to UXGA (1600 x 1200) |
| Horizontal Frequency | 31K~102KHz |
| Vertical Scan Rate | 23~120Hz |
| Compatibility | HDTV Compatibility: 480i, 480p, 576i, 576p, 720p, 1080i, 1080p Video Compatibility: NTSC, PAL, SECAM 3D Compatibility: PC: 120Hz Frame Sequential 3D for resolutions up to WXGA. |
| Interface | Computer In (D-Sub 15pin) x2 (shared with Component) Monitor Out (D-Sub 15 pin) x1 Composite Video In (RCA) x1 S-Video In (Mini DIN 4pin) x1 Audio In (Mini Jack) x1 Audio Out (Mini Jack) x1 Speaker 2W x1 USB (Type Mini-B) x1 (Download & page up/down) RS232 (DB-9Pin) x1 |
| Dimensions (WxHxD) | 287.3 x 114.4 x 232.6 mm |
| Weight | 2.3kg (5.29lbs) |
| Power Supply | AC 100 to 240 V, 50/60 Hz |
| Power Consumption | 275W, Standby<0.5W |
| Audible Noise | 33/26 dBA (Normal/Economic mode) |
| On-Screen Display Languages | English/ France/ Germany/ Italian/ Spanish/ Russian/ Traditional Chinese/ Simplified Chinese/ Japanese/ Korean/ Swedish/ Dutch/ Turkish/ Czech/ Portuguese/ Thai/ Polish/ Hungarian/ Croatian/ Romanian/ Norwegian/ Danish/ Bulgaria/ Finnish/ Indonesian/ Greek/ Hindi/ Arabic (28 Languages) |
| Picture Mode | Dynamic/Presentation/sRGB/Cinema/User 1/User 2 |
| Accessories (Standard) | Remote Control w/ Battery, Power Cord, User Manual CD, Quick Start Guide, Warranty Card, VGA (D-sub 15 pin) Cable |
| Accessories (Optional) | Spare Lamp Kit P/N: 5J.J6D05.001 Ceiling Mount P/N: 5J.J2K01.001 3D Glasses P/N: 5J.J0T14.011 Carrying Bag P/N: 5J.J3925.001 P/N: 5J.J3T09.001 |
| UPC Code | 8400460-2471-0 |
| Limited Warranty | 1 year parts & labor; 1 year or 2000 hours of lamp life |

*Lamp life results will vary depending on environmental conditions and usage. Actual product's features and specifications are subject to change without notice.

MS502 04-16-12-BQca



BenQ Canada Corp.

Tél : (416) 363-2367 www.BenQ.ca

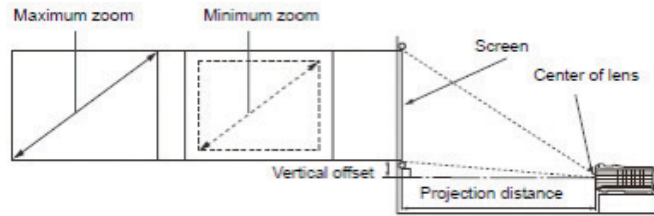
BenQ est une marque déposée de BenQ Corp. DLP™ est une marque déposée de Texas Instruments. Tous droits réservés. Les marques d'entreprise et de commerce sont la propriété de leurs sociétés respectives. Les spécifications sont sujettes à modification sans préavis.



Enjoyment Matters

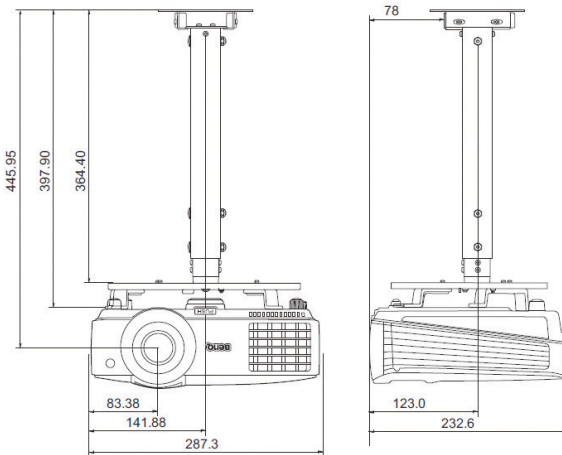
MS502 Digital Projector

Distance Chart

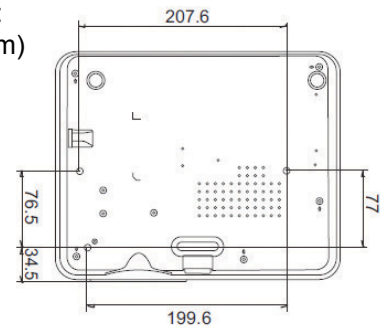


| Screen Size | | | | Distance from screen (mm) | | | Vertical offset (mm) |
|-------------|------|--------|--------|---------------------------|---------|------------|----------------------|
| Diagonal | | W (mm) | H (mm) | Min length | Average | Min length | |
| Inch | mm | | | Max zoom | | Max zoom | |
| 30 | 762 | 610 | 18 | 1132 | 1189 | 1245 | 46 |
| 40 | 1016 | 813 | 24 | 1509 | 1585 | 1660 | 61 |
| 50 | 1270 | 1016 | 30 | 1887 | 1981 | 2075 | 76 |
| 60 | 1524 | 1219 | 36 | 2264 | 2377 | 2491 | 91 |
| 80 | 2032 | 1626 | 48 | 3019 | 3170 | 3321 | 122 |
| 100 | 2540 | 2032 | 60 | 3774 | 3962 | 4151 | 152 |
| 120 | 3048 | 2438 | 72 | 4528 | 4755 | 4981 | 183 |
| 150 | 3810 | 3048 | 90 | 5660 | 5943 | 6226 | 229 |
| 200 | 5080 | 4064 | 120 | 7547 | 7925 | 8302 | 305 |
| 220 | 5588 | 4470 | 132 | 8302 | 8717 | 9132 | 335 |
| 250 | 6350 | 5080 | 150 | 9434 | 9906 | 10377 | 381 |
| 300 | 7620 | 6096 | 180 | 11321 | 11887 | 12453 | 457 |

Ceiling Mount Chart



Ceiling Mount Screw:
M4 x 8 (Max L = 8 mm)



Units: mm

Dimensions

