

DIGITAL
PROJECTOR

MH680

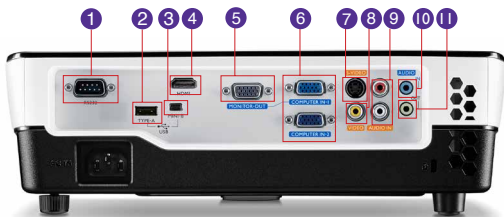


Features

- Full HD (1920x1080) Resolution
- 3,000 ANSI Lumens; 10,000:1 Contrast Ratio
- Wireless display/USB display/USB reader functions
- SmartEco™ Power Saving Technology
- 3D PC & Blu-Ray Ready



Input and Output Terminals



- | | |
|------------------------------|----------------------------|
| 1 RS232 (DB-9pin) | 7 S-Video (Mini DIN 4-pin) |
| 2 USB (Type A) | 8 Composite Video in (RCA) |
| 3 USB (Type Mini-B) | 9 Audio L/R In (RCA) |
| 4 HDMI | 10 Audio In (Mini Jack) |
| 5 Monitor Out (D-sub 15pin) | 11 Audio Out (Mini Jack) |
| 6 Computer-1/2 (D-sub 15pin) | |

Specifications

Projection System	DLP®
Native Resolution	Full HD (1920x1080)
Brightness	3,000AL
Contrast Ratio	10,000:1
Display Color	1.07 Billion Colors
Lens	F=2.59-2.87 f=16.88-21.88 mm
Aspect Ratio	Native 16:9 (5 aspect ratio selectable)
Throw Ratio	1.15~1.5(78.3"±3% @ 2m)
Image Size Diagonal	46"~300"
Zoom Ratio	1.3: 1
Lamp Type	210W
Lamp(Normal/Economic/SmartEco)*	4000/5000/6500 hours
Keystone Adjustment	1D, Vertical +/- 40 degrees
Projection Offset	110% ±5%
Resolution Support	VGA(640 x 480) to WUXGA_RB (1920 x 1200) *RB = Reduced Blanking
Horizontal Frequency	15~102KHz
Vertical Scan Rate	23~120Hz
Compatibility	HDTV Compatibility: 480i, 480p, 576i, 576p, 720p, 1080i, 1080p Video Compatibility: NTSC, PAL, SECAM 3D Compatibility: Frame Sequential: Up to 720p Frame Packing: Up to 1080p Side by Side: Up to 1080i/p Top Bottom: Up to 1080p
Interface	Computer in (D-sub 15pin) x 2(Share with component) Monitor out (D-sub 15pin) x 1 Composite Video in (RCA) x 1 S-Video in (Mini DIN 4pin) x 1 HDMI x 1 Audio in (Mini Jack) x 1 Audio out (Mini Jack) x 1 Audio L/R in (RCA) x 1 Speaker 10W x 1 USB (Type A) x 1 (USB Reader & Wireless Display <AP mode>) USB (Type Mini B) x 1 RS232 (DB-9pin) x 1
Dimensions (WxHxD)	311.81 x 104.7 x 244.12 mm (w/ feet)
Weight	2.8 kg (6.17 lbs)
Power Supply	AC100 to 240 V, 50 to 60 Hz
Power Consumption	270W(Normal), 220W (Eco), Standby<0.5W"
Audible Noise	33/28 dBA (Normal/Economic mode)
On-Screen Display Languages	Arabic/Bulgarian/ Croatian/ Czech/ Danish/ Dutch/ English/ Finnish/ French/ German/ Greek/ Hindi/ Hungarian/ Italian/ Indonesian/ Japanese/ Korean/ Norwegian/ Polish/ Portuguese/ Romanian/ Russian/ Simplified Chinese/Spanish/ Swedish/ Turkish/ Thai/ Traditional Chinese (28 Languages)
Picture Mode	Dynamic/Presentation/sRGB/Cinema/User 1/User 2
Accessories (Standard)	Lens Cover, Remote Control w/ Battery, Power Cord, User Manual CD, Quick Start Guide, Warranty Card, VGA(D-sub 15pin) Cable, Carry Bag
Accessories (Optional)	Spare Lamp Kit P/N: 5J.JAH05.001 Ceiling Mount P/N: 5J.J4N10.001 3D Glasses P/N: 5J.J7L25.002 Wireless Transceiver (WDRT8192) P/N: 5J.J3F28.A01
UPC Code / Part #	8400460-2576-2 / 9H.JAH77.14A
Limited Warranty	1 Year Parts & Labor / 1 Year or 2000 Hours of Lamp Life

*Lamp life results will vary depending on environmental conditions and usage. Actual product's features and specifications are subject to change without notice.



MH680 11-12-14-BQca



BenQ Canada Corp.

Tel: (416) 363-2367 www.BenQ.ca

BenQ is a registered trademark of BenQ Corp. DLP® is a registered trademark of Texas Instruments. All rights reserved. Product names, logos, brands, and other trademarks featured or referred to in this material are the property of their respective trademark holders. Specifications subject to change without notice.



Because it matters

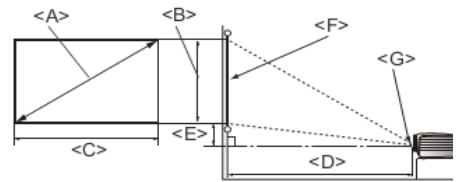
MH680 Digital Projector

Distance Chart

Installation for a 16:9 ratio screen

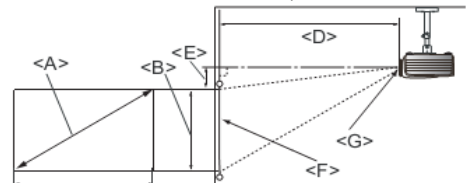
Screen Dimensions				Projection Distance <D> (mm)			Lowest / Highest lens position <E> (mm)
Diagonal <A>	Height 	Width <C>	Min distance	Average	Max distance		
Inch	mm	(mm)	(Max zoom)		Max zoom		
40	1016	498	886	1013	1165	1316	25
50	1270	623	1107	1266	1456	1646	31
60	1524	747	1325	1519	1747	1975	37
70	1778	872	1550	1772	2038	2304	44
80	2032	996	1771	2025	2329	2633	50
90	2086	1121	1992	2278	2620	2962	56
100	2540	1245	2214	2532	2911	3291	62
110	2794	1370	2435	2785	3203	3620	68
120	3048	1494	2657	3038	3494	3949	75
130	3302	1619	2878	3291	3785	4278	81
140	3556	1743	3099	3544	4076	4608	87
150	3810	1868	3321	3797	4367	4937	93
160	4064	1992	3542	4051	4658	5266	100
170	4318	2117	3763	4304	4949	5595	106
180	4572	2241	3985	4557	5241	5924	112
190	4826	2366	4206	4810	5532	6253	118
200	5080	2491	4428	5063	5823	6582	125
235	5969	2926	5202	5949	6842	7734	146

Floor Installation



<F>: Screen <G>: Center of lens

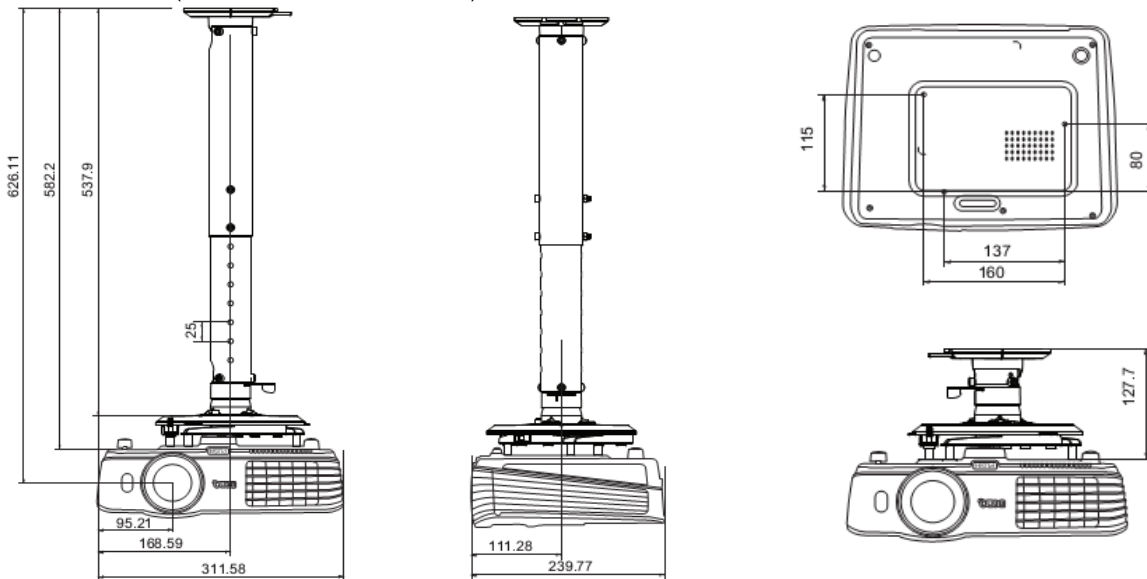
Ceiling Installation



<F>: Screen <G>: Center of lens

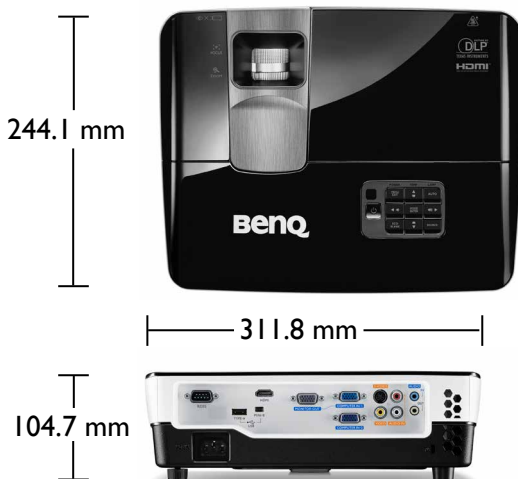
Ceiling Mount Chart

Ceiling Mount screw: M4 (Max L=25 mm; Min L= 20 mm)



Units: mm

Dimensions



Because it matters