

DIGITAL PROJECTOR | HT1085ST

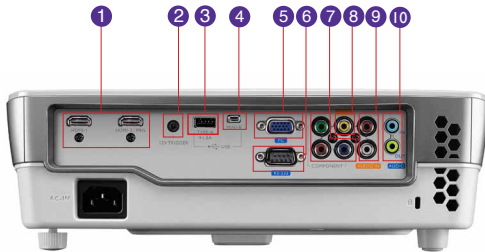


Features

- Native Full HD 1080P (1920x1080) Short Throw
- 2,200 ANSI Lumens, 10,000:1 High Contrast Ratio
- Dual HDMI, MHL Connectivity
- Optional Wireless Full HD Kit
- 3D Full HD, built-in 10W speaker
- Horizontal & Vertical Keystone



Input and Output Terminals



- | | |
|-----------------------------|------------------------------|
| 1 HDMI 1 & 2 (MHL) | 6 RS232 (DB-9pin) |
| 2 DC 12V Trigger | 7 Component Video In (RCA) |
| 3 USB (Type A) | 8 S-Video In (Mini DIN 4pin) |
| 4 USB (Type Mini B) | 9 Audio in (Mini Jack) |
| 5 Computer in (D-sub 15pin) | 10 Audio L/R in (RCA) |

Specifications

Projection System	DLP®
Native Resolution	1080p (1920x1080)
Brightness	2,200 ANSI lumens
Contrast Ratio	10,000:1
Display Color	1.07 Billion Colors
Lens	F= 2.6-2.78, f=10.2-12.24mm
Aspect Ratio	Native 16:9 (5 aspect ratio selectable)
Throw Ratio	0.69-0.83 (65.7" @ 1M)
Image Size (Diagonal)	38"-300"
Zoom Ratio	1.2:1
Lamp Type	240W
Lamp (Normal/Economic Mode)*	3500/5000/6000 hours
Keystone Adjustment	2D, Vertical & Horizontal +/- 20 degrees
Projection Offset	Vertical 105%~±5%
Resolution Support	up to WUXGA
Horizontal Frequency	31K-102KHz
Vertical Scan Rate	23-120Hz
Compatibility	SDTV, EDTV, HDTV Compatibility: 480i, 480p, 576i, 576p, 720p, 1080i, 1080p Video Compatibility: NTSC, PAL, SECAM
Interface	Computer in (D-sub 15pin) x 1 HDMI x 2 MHL x 1 (shared with HDMI - 2) Composite Video in (RCA) x 1 Component Video in x 1 Audio in (Mini Jack) x 1 Audio L/R in (RCA) x 1 Audio out (Mini Jack) x 1 Chamber Speaker 10W x 1 USB (Type A) x1 (for 1.5V power supply) USB (Type Mini B) x1 (for service) RS232 (DB-9pin) x 1 DC 12V Trigger x 1
Dimensions (WxHxD)	312 x 104 x 244 mm
Weight	2.85 kg
Power Supply	AC 100 to 240 V, 50 to 60 Hz
Power Consumption	353W/110V (typical), Standby < 0.5W
Audible Noise	31/28 dBA (Normal/Economic mode)
On-Screen Display Languages	Arabic/Bulgarian/ Croatian/ Czech/ Danish/ Dutch/ English/ Finnish/ French/ German/ Greek/ Hindi/ Hungarian/ Italian/ Indonesian/ Japanese/ Korean/ Norwegian/ Polish/ Portuguese/ Romanian/ Russian/ Simplified Chinese/Spanish/ Swedish/ Turkish/ Thai/ Traditional Chinese (28 Languages)
Preset Modes	ISF Disabled: Bright/(Standard)/Cinema/User 1 / User 2 ISF Disabled: Bright/Standard/Cinema/User 1/User 2/ (ISF Night)/ ISF Day
Accessories (Standard)	Remote Control w/ Battery, Power Cord, User Manual CD, Lens Cover, Quick Start Guide, Warranty Card, VGA (D-sub 15pin) Cable
Accessories (Optional)	Spare Lamp Kit P/N: 5J.J9H05.001 Ceiling Mount_CM00G2 P/N: 5J.J4N10.001 3D Glasses_DGD05 P/N: 5J.J9H25.001 Carry Bag P/N: 5J.J3T09.001 Wireless FHD Kit WDP01 P/N: 5J.J9H28.A02
Limited Warranty	1 Year Parts/Labor; 180day or 500 hours of lamp life.

*Lamp life results will vary depending on environmental conditions and usage. Actual product's features and specifications are subject to change without notice.



HT1085ST 12-26-14-BQca



BenQ Canada Corp.

Tel: (416) 363-2367 www.BenQ.ca

BenQ is a registered trademark of BenQ Corp. DLP is a registered trademark of Texas Instruments. All rights reserved. Product names, logos, brands, and other trademarks featured or referred to in this materials are the property of their respective trademark holders. Specifications subject to change without notice.

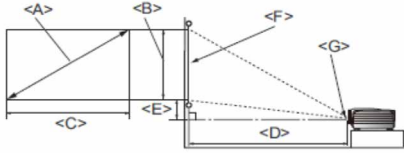


Because it matters

HTI085ST Digital Projector

Distance Chart

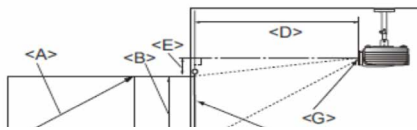
Floor Installation



<F>: Screen

<G>:Center of lens

Ceiling Installation



<F>: Screen

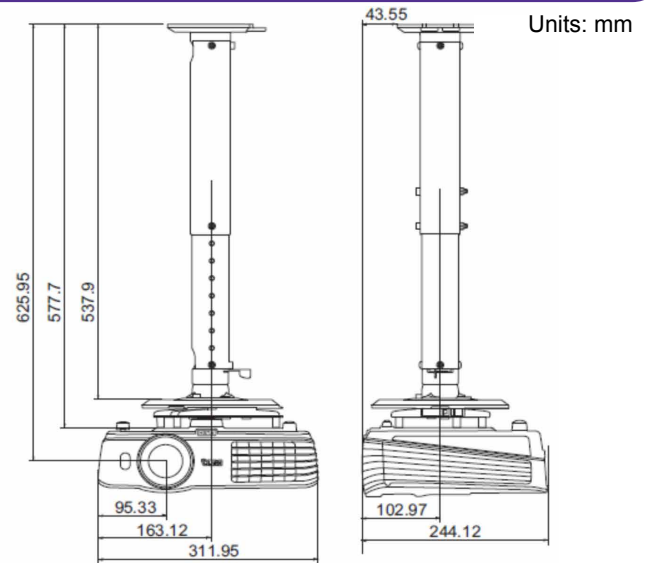
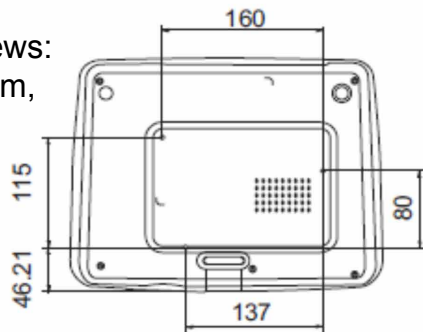
<G>:Center of lens

The screen aspect ratio is 16:9 and the projected picture is 16:9

Screen Diagonals		Screen Dimensions		Projection Distance <D> (mm)			Lowest/Highest lens position <E> (mm)
Diagonal <A>		Height (mm)	Width <C> (mm)	Min Distance (with max zoom)	Average	Max Distance (with min zoom)	
30	762	374	664	457	502	548	9
40	1016	498	886	609	670	731	12
50	1270	623	1107	761	837	913	16
60	1524	747	1328	913	1005	1096	19
70	1778	872	1550	1065	1172	1279	22
80	2032	996	1771	1218	1339	1461	25
90	2286	1121	1992	1370	1507	1644	28
100	2540	1245	2214	1522	1674	1826	31
110	2794	1370	2435	1674	1842	2009	34
120	3048	1494	2657	1826	2009	2192	37
130	3302	1619	2878	1979	2177	2374	40
140	3556	1743	3099	2131	2344	2557	44
150	3810	1868	3321	2283	2511	2740	47
160	4064	1992	3542	2435	2679	2922	50
170	4318	2117	3763	2588	2846	3105	53
180	4572	2241	3985	2740	3014	3288	56
190	4826	2366	4206	2892	3181	3470	59
200	5080	2490	4428	3044	3349	3653	62
250	6350	3113	5535	3805	4186	4566	78
300	7620	3736	6641	4566	5023	5479	93

Ceiling Mount Chart

Ceiling Mount Screws:
M4 (Max. L = 25 mm,
Min. L = 20 mm)



Units: mm

Dimensions



Units: mm



Because it matters