

DIGITAL PROJECTOR | HT1075

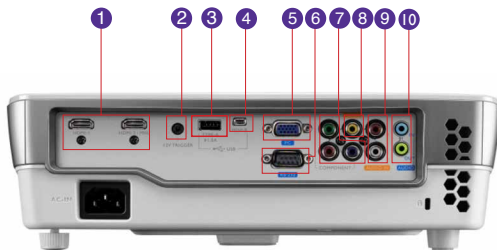


Features

- Native Full HD 1080P (1920x1080) Resolution
- 2,200 ANSI Lumens, 10,000:1 High Contrast Ratio
- Dual HDMI, MHL Connectivity
- Optional Wireless Full HD Kit
- 3D Full HD, built-in 10W speaker
- Horizontal & Vertical Keystone



Input and Output Terminals



- | | |
|-----------------------------|------------------------------|
| 1 HDMI 1 & 2 (MHL) | 6 RS232 (DB-9pin) |
| 2 DC 12V Trigger | 7 Component Video In (RCA) |
| 3 USB (Type A) | 8 S-Video In (Mini DIN 4pin) |
| 4 USB (Type Mini B) | 9 Audio in (Mini Jack) |
| 5 Computer in (D-sub 15pin) | 10 Audio L/R in (RCA) |



Specifications

Projection System	DLP®
Native Resolution	1080p (1920x1080)
Brightness	2,200 ANSI lumens
Contrast Ratio	10,000:1
Display Color	1.07 Billion Colors
Lens	F=2.59-2.87, f=16.88-21.88mm
Aspect Ratio	Native 16:9 (5 aspect ratio selectable)
Throw Ratio	1.15-1.5 (100" @2.5M)
Image Size (Diagonal)	40"-235"
Zoom Ratio	1.3:1
Lamp Type	240W
Lamp (Normal/Economic Mode)*	3500/5000/6000 hours
Keystone Adjustment	2D, Vertical & Horizontal +/- 30 degrees
Lens Shift	Vertical 110%-130%±5%
Projection Offset	Vertical 110%-130%±5%
Resolution Support	up to WUXGA
Horizontal Frequency	31K-102KHz
Vertical Scan Rate	23-120Hz
Color Wheel Segment	6-Segment (RGBRGB)
Color Wheel Speed	6X (50Hz)
Compatibility	SDTV, EDTV, HDTV Compatibility: 480i, 480p, 576i, 576p, 720p, 1080i, 1080p Video Compatibility: NTSC, PAL, SECAM
Interface	Computer in (D-sub 15pin) x 1 HDMI x 2 MHL x 1 (shared with HDMI - 2) Composite Video in (RCA) x 1 Component Video in x 1 Audio in (Mini Jack) x 1 Audio L/R in (RCA) x 1 Audio out (Mini Jack) x 1 Chamber Speaker 10W x 1 USB (Type A) x1 (for 5V/1.5A power supply) USB (Type Mini B) x1 (for service) RS232 (DB-9pin) x 1 DC 12V Trigger x 1
Dimensions (WxHxD)	312 x 104 x 244 mm
Weight	2.75 kg
Power Supply	AC 100 to 240 V, 50 to 60 Hz
Power Consumption	350W/110V (typical), Standby < 0.5W
Audible Noise	31/28 dBA (Normal/Economic mode)
On-Screen Display Languages	Arabic/Bulgarian/ Croatian/ Czech/ Danish/ Dutch/ English/ Finnish/ French/ German/ Greek/ Hindi/ Hungarian/ Italian/ Indonesian/ Japanese/ Korean/ Norwegian/ Polish/ Portuguese/ Romanian/ Russian/ Simplified Chinese/Spanish/ Swedish/ Turkish/ Thai/ Traditional Chinese (28 Languages)
Preset Modes	ISF Disabled: Bright/(Standard)/Cinema/User 1 / User 2 ISF Enabled: Bright/Standard/Cinema/User 1/User 2/ (ISF Night)/ ISF Day
Accessories (Standard)	Remote Control w/ Battery, Power Cord, User Manual CD, Lens Cover, Quick Start Guide, Warranty Card
Accessories (Optional)	Spare Lamp Kit P/N: 5J.J9H05.001 Ceiling Mount_CM00G2 P/N: 5J.J4N10.001 3D Glasses_DGD05 P/N: 5J.J9H25.001 Carry Bag P/N: 5J.J3T09.001 Wireless FHD Kit WDP01 P/N: 5J.J9H28.A02
Limited Warranty	1 Year Parts/Labor; 180 day or 500 hours of lamp life.

*Lamp life results will vary depending on environmental conditions and usage. Actual product's features and specifications are subject to change without notice.



BenQ Canada Corp.
www.BenQ.ca • (416) 363-2367

BenQ is a registered trademark of BenQ Corp. All rights reserved. Product names, logos, brands, and other trademarks featured or referred to in this material are the property of their respective trademark holders. Specifications subject to change without notice.
HT1075 110315_BQca



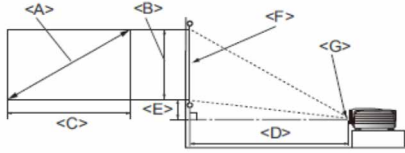
Because it matters

HTI075 Digital Projector

Distance Chart

The screen aspect ratio is 16:9 and the projected picture is 16:9

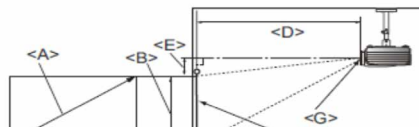
Floor Installation



<F>: Screen

<G>:Center of lens

Ceiling Installation



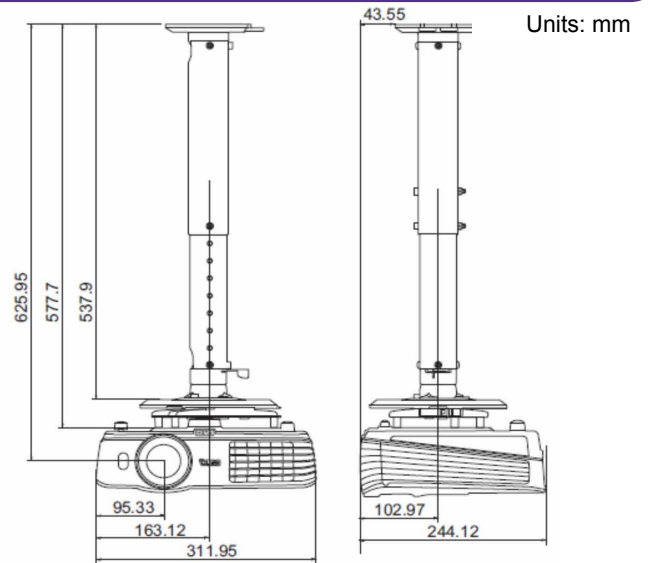
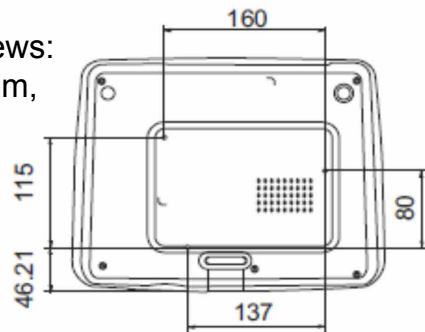
<F>: Screen

<G>:Center of lens

Screen Dimensions		Projection Distance <D> (inch)				Lowest/Highest lens position <E> (inch)	
Diagonal		Height (inch)	Width <C> (inch)	Min Distance (with max zoom)	Average		Max Distance (with min zoom)
Inch	mm						
40	1016	498	886	1013	1165	1316	25
50	1270	623	1107	1266	1456	1646	31
60	1524	747	1328	1519	1747	1975	37
70	1778	872	1550	1772	2038	2304	44
80	2032	996	1771	2025	2329	2633	50
90	2286	1121	1992	2278	2620	2962	56
100	2540	1245	2214	2532	2911	3291	62
110	2794	1370	2435	2785	3203	3620	68
120	3048	1494	2657	3038	3494	3949	75
130	3302	1619	2878	3291	3785	4278	81
140	3556	1743	3099	3544	4076	4608	87
150	3810	1868	3321	3797	4367	4937	92
160	4064	1992	3542	4051	4658	5266	100
170	4318	2117	3763	4304	4949	5595	106
180	4572	2241	3985	4557	5241	5924	112
190	4826	2366	4206	4810	5532	6253	118
200	5080	2491	4428	5063	5823	6582	125
235	5969	2926	5202	5949	6842	7734	146

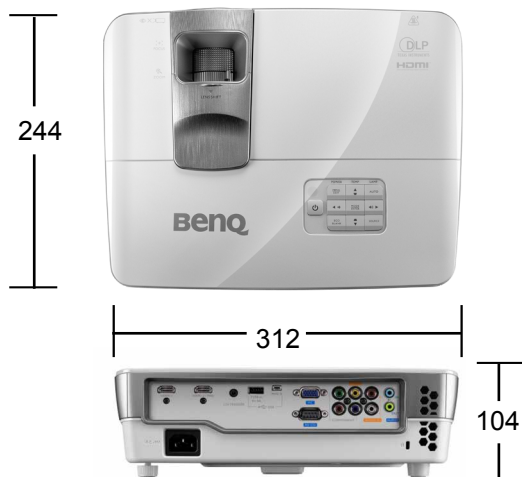
Ceiling Mount Chart

Ceiling Mount Screws:
M4 (Max. L = 25 mm,
Min. L = 20 mm)



Units: mm

Dimensions



Units: mm



Because it matters