

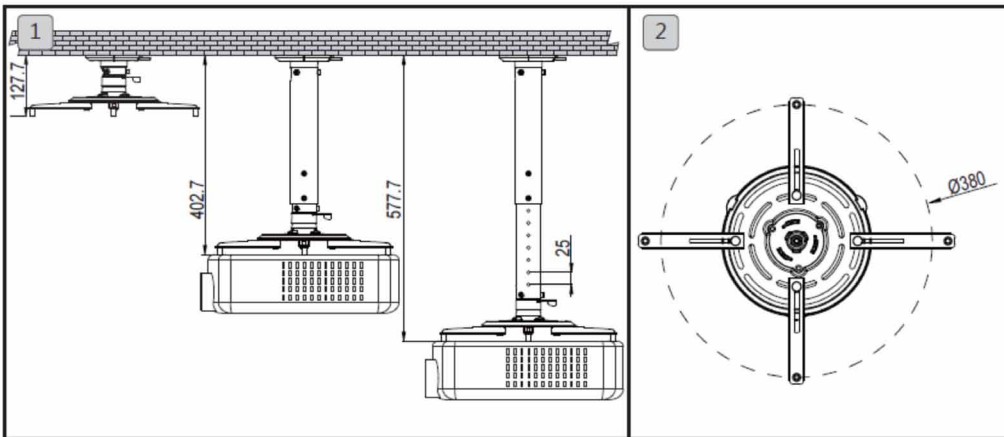
# Universal Ceiling Mount

## Specifications

Model Name	CM00G2
Part Number	5J.J4N10.001
UPC	8400460-2532-8
Material	Steel/ Aluminum Alloy
Weight	2.07kg (4.56lbs)
Length	127.7mm ~ 577.7mm (each spaced 25mm apart)
Rotation Angle	360°
Tilt Angle	+/-25°
Load	15kg (33lbs)
Screw Type	M3,M4,M5,M6

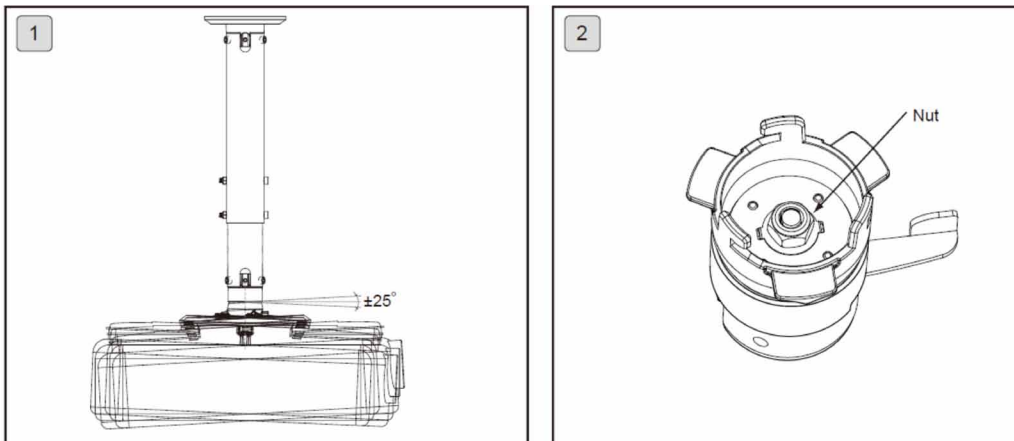
Extension Column Length (Includes all BenQ projectors except CP220 & GP Series)

1. Adjustable Height: column connector extends 5" - 22.7" (increments of .98")
2. Fits projectors with a mounting hole less than 15" diameter.



Angled Ceiling Adjustments

1. Angled ceiling compensation adjustable by +/- 25 degrees.
2. Tighten nut to secure angle adjustments before aligning the hinge module.



CeilingMount 08-17-12BQca

BenQ Canada Corp.

Tel: (416) 363-2367 [www.BenQ.ca](http://www.BenQ.ca)

BenQ is a registered trademark of BenQ Corp. All rights reserved.  
Product names, logos, brands, and other trademarks featured or referred to in the materials are the property of their respective trademark holders.  
Specifications subject to change without notice.

**BenQ**

Enjoyment Matters