



Model Name MU706 Projector

- *WUXGA Native Resolution
- *4000ANSI Lumen High Brightness
- *20000:1 High Contrast Ratio
- *Whisper Quiet 31dB in Daily Meeting
- *Wireless Presentation via Your Smart Device by QCast^(optional)



Technology

Projection System	DLP
DMD type	DC3

Image

Native Resolution	WUXGA (1920x1200)
Brightness	4000 ANSI Lumen
Contrast ratio	20000:1
Keystone Correction	ID, Vertical +/- 40 degrees
Aspect Ratio	Native 16:10 (5 aspect ratio selectable)
Light Source	UHP 240W
Light Source life*	3000/4000/6000/7500 (80%~30%) hours

Optical

Throw Ratio	1.15-1.49 (Wide 95" ±3% @ 2.42m)
Projection Offset	Vertical: 100% ±5%
Zoom Ratio	1.3x
Lens	F=2.59~2.87, f=16.88~21.88
Projection Size	30" ~ 300"

Compatibility

Resolution Support	VGA(640 x 480) to WUXGA_RB(1920 x 1200)*RB = Reduced blanking
Horizontal Frequency	15K-102KHz
Vertical Scan Rate	23-120Hz
HDTV Compatibility	480i, 480p, 576i, 576p, 720p, 1080i, 1080p
Video Compatibility	NTSC, PAL, SECAM
3D Compatibility (Please refer to User Manual for detailed support timing.)	Frame Sequential: Up to 60Hz 720p Frame Packing: Up to 24 Hz 1080p Side by Side: Up to 24Hz 1080p Top Bottom: Up to 60Hz 1080p

Advanced Feature

Security(防盜為主)	Security bar / Kensington Security Slot
Feature	Optional Wifi Dongle Qcast (Video/ tapNshow for android quick connect)

Interface

Computer in (D-sub 15pin)	x1 (integrate with component)
HDMI	x2 (HDMI with MHL2.0 x1, HDMI x 1) HDMI x 1)
MHL	x 1(HDMI with MHL2.0)
Monitor out	x 1
Composite Video in (RCA)	x 1
S-Video in	x 1
Audio in (Mini Jack)	x 1
Audio in (L/R)	x1
Audio out (Mini Jack)	x 1
Speaker	2W x 1
USB (Type A)	x 1 (1.5A power supply)
USB (Type mini B)	x 1
RS232 (DB-9pin)	x 1
IR Receiver	x2 (Front+Top)

General

Power Consumption	350W(Normal), 261W(Eco), Standby <0.5W
Standby Power Consumption	Automatic power off after 20 minutes without a display source
Power Supply	AC100 to 240V, 3.5A, 50 to 60 Hz
Product Dimensions	331 x 129.4 x 246.2mm (include feet) 331 x 114.4 x 246.2mm (exclude feet)
Product Weight	7.28 lbs (3.3 Kg)
Noise Level	31/28 dBA (Normal/Economic mode)
Environmental Notice	Lamp in this product contains mercury. To dispose of the product or used lamps, consult your local environment authorities for regulations or see www.lamprecycle.org .
On Screen Display Language	Arabic/Bulgarian/ Croatian/ Czech/ Danish/ Dutch/ English/ Finnish/ French/ German/ Greek/ Hindi/ Hungarian/ Italian/ Indonesian/ Japanese/ Korean/ Norwegian/ Polish/ Portuguese/ Romanian/ Russian/ Simplified Chinese/Spanish/ Swedish/ Turkish/ Thai/ Traditional Chinese (28 Languages)

Accessories

Standard	Optional
Remote Control w Battery (5JJ306.001)	Spare Lamp Kit (5JJFM05.001)
User Manual CD (5BJFM01.001)	Wireless USB Dongle - QCast
Lens Cover	Carry bag (5JJ4N09.001)
Warranty Card (by region)	3D Glasses
Power Cord (by region)	Ceiling mount
VGA cable	
QSG (4JJFM01.001)	

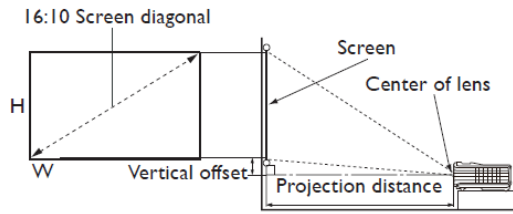
*Lamp life results will vary depending on environmental conditions and usage. Actual product's features and specifications are subject to change without notice.

** Default mode is Presentation. When 3D is on, Picture Modes only shows 3D. When 3D is off, it is not shown in Picture Modes.

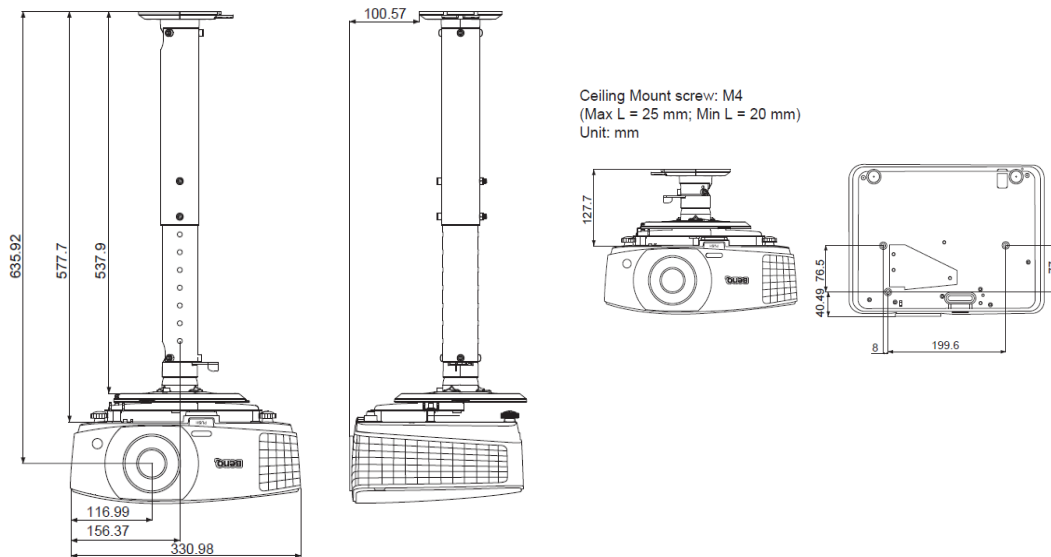
MU706 Projector

Distant chart

Screen size				Distance from screen (mm)			Vertical offset (mm)
Diagonal	H	W	Min length (max. zoom)	Average	Max length (min. zoom)		
Inch	mm	(mm)	(mm)				
40	1016	538	862	991	1142	1292	0
50	1270	673	1077	1239	1427	1615	0
60	1524	808	1292	1486	1712	1939	0
70	1778	942	1508	1734	1998	2262	0
80	2032	1077	1723	1982	2283	2585	0
90	2286	1212	1939	2229	2569	2908	0
100	2540	1346	2154	2477	2854	3231	0
110	2794	1481	2369	2725	3139	3554	0
120	3048	1615	2585	2972	3425	3877	0
130	3302	1750	2800	3220	3710	4200	0
140	3556	1885	3015	3468	3996	4523	0
150	3810	2019	3231	3716	4281	4846	0
160	4064	2154	3446	3963	4566	5169	0
170	4318	2289	3662	4211	4852	5492	0
180	4572	2423	3877	4459	5137	5816	0
190	4826	2558	4092	4706	5422	6139	0
200	5080	2692	4308	4954	5708	6462	0
250	6350	3365	5385	6193	7135	8077	0
300	7620	4039	6462	7431	8562	9693	0



Ceiling mount Chart



Dimension

