



## Model Name **WI080ST Digital Projector**

### Unique selling point

- \* Full HD
- \* 3D Display
- \* Short Throw (65.7" @ 1M)
- \* ISFccc
- \* Easy Setup and Maintenance

### Trade Mark



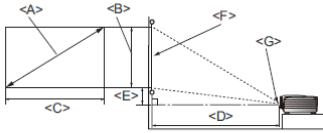
<b>Projection System</b>	DLP		
<b>Native Resolution</b>	1080p (1920 x 1080)		
<b>Brightness</b>	2000 ANSI Lumen		
<b>Contrast Ratio</b>	10000:1		
<b>Display Color</b>	1.07 Billion Colors		
<b>Lens</b>	F= 2.6-2.78, f=10.2-12.24mm		
<b>Aspect Ratio</b>	Native 16:9 (5 aspect ratio selectable)		
<b>Throw Ratio</b>	0.69-0.83 (65.7" @ 1M)		
<b>Image Size (Diagonal)</b>	38"-300"		
<b>Zoom Ratio</b>	1.2:1		
<b>Lamp Type</b>	240W		
<b>Lamp(Normal/Economic/SmartEco Mode)*</b>	3500/5000/6000 hours		
<b>Keystone Adjustment</b>	1D, Vertical +/- 40 degrees		
<b>Projection Offset</b>	105%±5%		
<b>Resolution Support</b>	up to WUXGA (1920 x 1200) *RB=Reduced blanking		
<b>Horizontal Frequency</b>	15K-102KHz		
<b>Vertical Scan Rate</b>	23-120Hz		
<b>Compatibility</b>	HDTV Compatibility	480i, 480p, 576i, 567p, 720p, 1080i, 1080p	
	Video Compatibility	NTSC, PAL, SECAM, SDTV	
<b>Interface</b>	Computer in (D-sub 15pin)	x 1	
	HDMI	x 2	
	Composite Video in (RCA)	x 1	
	S-Video in (Mini DIN 4pin)	x 1	
	Component Video in	x 1	
	Audio in (Mini Jack)	x 1	
	Audio L/R in (RCA)	x 1	
	Audio out (Mini Jack)	x 1	
	Speaker	10W x 1	
	USB (Type Mini B)	x1 (for service)	
	RS232 (DB-9pin)	x 1	
	DC 12V Trigger	x 1	
<b>Dimensions</b>	Dimensions(W x H x D)	312x104x244 mm	
	Weight	2.85KG	
<b>Power</b>	Power Supply	AC100 to 240 V, 50 to 60 Hz	
	Power Consumption	353W/110V (typical), Standby < 0.5W	
<b>Audible Noise</b>	33/30 dBA (Normal/Economic mode)		
<b>On-Screen Display Languages</b>	Arabic/Bulgarian/ Croatian/ Czech/ Danish/ Dutch/ English/ Finnish/ French/ German/ Greek/ Hindi/ Hungarian/ Italian/ Indonesian/ Japanese/ Korean/ Norwegian/ Polish/ Portuguese/ Romanian/ Russian/ Simplified Chinese/Spanish/ Swedish/ Turkish/ Thai/ Traditional Chinese (28 Languages)		
<b>Picture Modes</b>	Dynamic / Standard / Cinema / 3D / User 1 / User 2 / User 3		
<b>Accessories</b>	<b>Standard</b>	<b>Optional</b>	
	Remote Control w/ Battery	Spare Lamp Kit	P/N: 5J.5J.J7L05.001
	Power Cord (by region)	Ceiling Mount	P/N: 5J.J2K01.001
	User Manual CD	3D Glasses	P/N: 5J.J7K25.011
	Quick Start Guide		
	Warranty Card (by region)		
	VGA(D-sub 15pin) Cable		
	Carry Bag		

\*Lamp life results will vary depending on environmental conditions and usage. Actual product's features and specifications are subject to change without notice.

# WI080ST Digital Projector

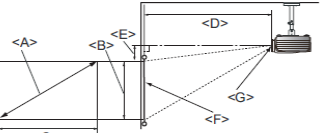
## Distance Chart

### Floor Installation



<F>: Screen      <G>: Center of lens

### Ceiling Installation



<F>: Screen      <G>: Center of lens

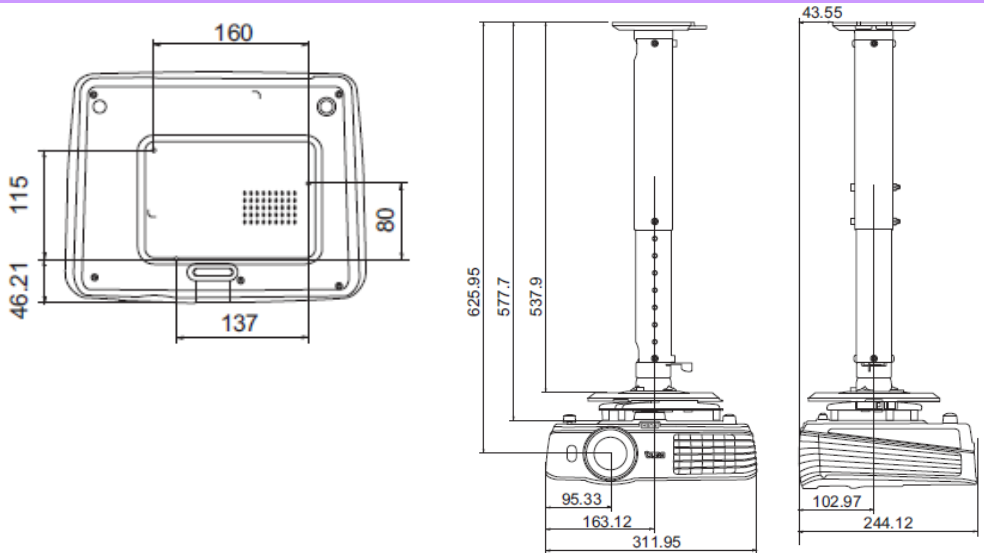
■ The screen aspect ratio is 16:9 and the projected picture is 16:9

Diagonal <A> [inch (mm)]	Screen dimensions			Projection distance <D> [mm]			Lowest/Highest lens position <E> [mm]
	Height <B> [mm]	Width <C> [mm]	Min distance (with max zoom)	Average	Max distance (with min zoom)		
30 (762)	374	664	457	502	548	9	
40 (1016)	498	886	609	670	731	12	
50 (1270)	623	1107	761	837	913	16	
60 (1524)	747	1328	913	1005	1096	19	
70 (1778)	872	1550	1065	1172	1279	22	
80 (2032)	996	1771	1218	1339	1461	25	
90 (2286)	1121	1992	1370	1507	1644	28	
100 (2540)	1245	2214	1522	1674	1826	31	
110 (2794)	1370	2435	1674	1842	2009	34	
120 (3048)	1494	2657	1826	2009	2192	37	
130 (3302)	1619	2878	1979	2177	2374	40	
140 (3556)	1743	3099	2131	2344	2557	44	
150 (3810)	1868	3321	2283	2511	2740	47	
160 (4064)	1992	3542	2435	2679	2922	50	
170 (4318)	2117	3763	2588	2846	3105	53	
180 (4572)	2241	3985	2740	3014	3288	56	
190 (4826)	2366	4206	2892	3181	3470	59	
200 (5080)	2490	4428	3044	3349	3653	62	
250 (6350)	3113	5535	3805	4186	4566	78	
300 (7620)	3736	6641	4566	5023	5479	93	

## Wall mount/Ceiling mount Chart

⊙ Ceiling mount screws:  
M4 (Max L = 25 mm;  
Min L = 20 mm)

Unit: mm



## Dimension

