



**Model Name** **SX930 Digital Projector**

**Unique selling point**

- \* High brightness 7000AL
- \* Big Zoom 1.6X
- \* Easy installation and control
- \* Vertical Lens Shift

<b>Projection System</b>	DLP	
<b>Native Resolution</b>	XGA(1024x768)	
<b>Brightness</b>	7,000AL	
<b>Contrast Ratio</b>	2,500:1	
<b>Display Color</b>	1.07 Billion Colors	
<b>Lens</b>	F=2.1~2.63, f=21.7~34.64	
<b>Aspect Ratio</b>	Native 4:3 (5 aspect ratio selectable)	
<b>Throw Ratio</b>	1.5~2.4	
<b>Clear Image Size</b>	60"~300"	
<b>Zoom Ratio</b>	1.6X	
<b>Lamp Type</b>	465W	
<b>Lamp(Normal/Economic/SmartEco Mode)*</b>	2000/2500 hours	
<b>Keystone Adjustment</b>	2D, Vertical & Horizontal ± 30 degrees	
<b>Projection Offset</b>	107.5% ±2.5%	
<b>Lens Shift</b>	Vertical: +5%	
<b>Resolution Support</b>	VGA(640 x 480) to WUXGA_RB(1920 x 1200) *RB=Reduced blanking	
<b>Horizontal Frequency</b>	15K~102KHz	
<b>Vertical Scan Rate</b>	23~120Hz	
<b>Compatibility</b>	HDTV Compatibility	480i, 480p, 576i, 576p, 720p, 1080i, 1080p
	Video Compatibility	NTSC, PAL, SECAM

<b>Interface</b>	Computer in (D-sub 15pin)	x 1 (Share with component)
	Monitor out (D-sub 15pin)	x 1
	Composite Video in (RCA)	x 1
	S-Video in (Mini DIN 4pin)	x 1
	HDMI	x 2
	Audio in (Mini Jack)	x 1
	Audio L/R in (RCA)	x 1
	Audio out (Mini Jack)	x 1
	Microphone in (Mini Jack)	x 1
	Speaker	10W x 2
	USB (Type A)	x 1 (1.5A power supply)
	USB (Type mini B)	x 1 (Download & page/down)
	LAN (RJ45)	x 1 (LAN control)
	RS232 (DB-9pin)	x 1
	DC 12V Trigger (3.5mm Jack)	x 1
	IR Receiver	x 2

<b>Dimensions</b>	Dimensions(W x H x D)	446 x 152 x 336 mm
	Weight	6.7KG

<b>Power</b>	Power Supply	AC100 to 240 V, 50 to 60 Hz
	Power Consumption	Typical 620W, Network standby <6W, Standby power <0.5W
	Power Management Function	Automatic power off after 20 minutes without a display source.

<b>Audible Noise</b>	39/36 dBA (Normal/Economic mode)
----------------------	----------------------------------

<b>On-Screen Display Languages</b>	Arabic/Bulgarian/ Croatian/ Czech/ Danish/ Dutch/ English/ Finnish/ French/ German/ Greek/ Hindi/ Hungarian/ Italian/ Indonesian/ Japanese/ Korean/ Norwegian/ Polish/ Portuguese/ Romanian/ Russian/ Simplified Chinese/Spanish/ Swedish/ Turkish/ Thai/ Traditional Chinese (28 Languages)
------------------------------------	--

<b>Picture Modes</b>	Bright/Presentation/sRGB/Cinema(3D)/User 1/User 2
----------------------	---

<b>Accessories</b>	<b>Standard</b>	<b>Optional</b>	
		Remote Control w/ Battery	Spare Lamp Kit
	Power Cord (by region)	Ceiling Mount	P/N: 5JJAM10.001
	User Manual CD	3D Glasses	P/N: 5JJ9H25.001
	Quick Start Guide	Dust Filter	P/N: 6EJEG08.001
	Warranty Card (by region)		
	VGA(D-sub 15pin) Cable		

<b>Environmental Notice</b>	Lamp in this product contains mercury. To dispose of the product or used lamps, consult your local environment authorities for regulations or see <a href="http://www.lamprecycle.org">www.lamprecycle.org</a> .
-----------------------------	---

\*Lamp life results will vary depending on environmental conditions and usage. Actual product's features and specifications are subject to change without notice.

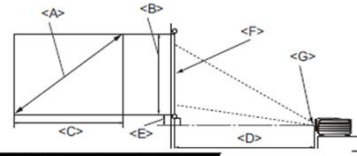
# SX930 Digital Projector

## Distance Chart

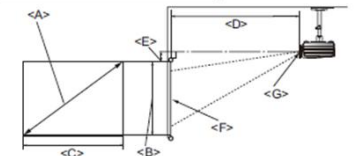
■ The screen aspect ratio is 4:3 and the projected picture is 4:3

Screen dimensions			Projection distance <D> [cm]			Lowest/ Highest lens position <E> [cm]
Diagonal <A> [inch (mm)]	Height <B> [cm]	Width <C> [cm]	Min distance	Average	Max distance	
60 (1524)	91	122	183	238	293	11.4
70 (1778)	107	142	214	278	342	13.3
80 (2032)	122	163	244	317	391	15.2
90 (2286)	137	183	275	357	439	17.1
100 (2540)	152	203	305	397	488	19.1
110 (2794)	168	224	336	436	537	21.0
120 (3048)	183	244	366	476	586	22.9
130 (3302)	198	264	397	516	634	24.8
140 (3556)	213	285	427	555	683	26.7
150 (3810)	229	305	458	595	732	28.6
160 (4064)	244	325	488	634	781	30.5
170 (4318)	259	345	519	674	830	32.4
180 (4572)	274	366	549	714	878	34.3
190 (4826)	290	386	580	753	927	36.2
200 (5080)	305	406	610	793	976	38.1
250 (6350)	381	508	762	991	1220	47.6
300 (7620)	457	610	915	1189	1463	57.2

### Floor Installation

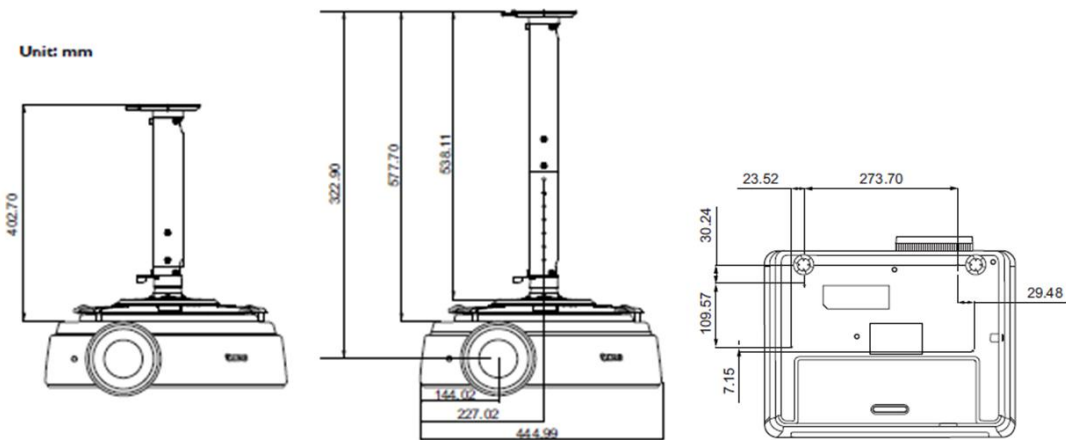


### Ceiling Installation



<F>: Screen      <G>: Center of lens

## Wall mount/Ceiling mount Chart



## Dimension

