



SH940 Digital Projector

Full HD

Easy Installation & Control

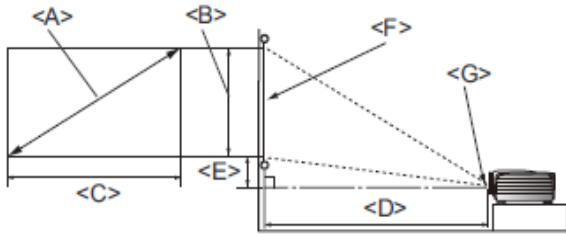
Easy Maintenance

Projection System	DLP		
Native Resolution	1080p (1920 x 1080)		
Brightness	4000AL		
Contrast Ratio	50000:1		
Display Color	1.07 Billion Colors		
Lens	F=2.48~2.81, f=24.1~36.15mm		
Aspect Ratio	Native 16:9 (5 aspect ratio selectable)		
Throw Ratio	1.62~2.43(55.7" @ 2m)		
Image Size (Diagonal)	28"~300"		
Zoom Ratio	1.5:1		
Lamp Type	300W		
Lamp(Normal/Economic)*	2000/3000 hours		
Keystone Adjustment	2D, Vertical & Horizontal ± 30 degrees		
Projection Offset	115%~125%±5%		
Resolution Support	VGA(640 x 480) to WUXGA_RB(1920 x 1200) *RB=Reduced Blanking		
Horizontal Frequency	31K~92KHz		
Vertical Scan Rate	23~85Hz		
Compatibility	HDTV Compatibility	480i, 480p, 576i, 576p, 720p, 1080i, 1080p	
	Video Compatibility	NTSC, PAL, SECAM	
Interface	Computer in (D-sub 15pin)	x 1 (Share with component)	
	Monitor out (D-sub 15pin)	x 1	
	HDMI	x 2(1.3)	
	Component Video in (5BNC)	x 1	
	Composite Video in (RCA)	x 1	
	Audio in (Mini Jack)	x 1	
	Audio out (Mini Jack)	x 1	
	Speaker	10W x 1	
	LAN (RJ45)	x 1 (LAN Control)	
	USB (Type Mini B)	x 1 (Page up down & Download)	
	12V Trigger	x 1	
	RS232 (DB-9pin)	x 1	
	IR Receiver	x 2 (Front+Rear)	
Dimensions	Dimensions(W x H x D)	428 x 169 x 318mm (including adjust foot)	
	Weight	7.2KG	
Power	Power Supply	AC100 to 240 V, 50 to 60 Hz	
	Power Consumption	442W(typical), Standby<0.5W	
Audible Noise	36/33 dBA (Normal/Economic mode)		
On-Screen Display Languages	ENGLISH/ 繁體中文/ FRANÇAIS/ ESPAÑOL/ DEUTSCH/ ITALIANO/ 简体中文/ 한국어/ 日本語 / Р У С С К И Й / Nederlands/ Português/ svenska/ čeština/ polski/ বাংলা/ Türkçe (17 Languages)		
Picture Modes	Dynamic/Presentation/sRGB/Cinema/User 1/User 2		
Accessories	Standard	Optional	
	Remote Control w/ Battery	Presentation Plus	P/N: 65.J9306.002
	Power Cord (by region)	Spare Lamp Kit	
	User Manual CD	Ceiling Mount	
	Quick Start Guide	3D Glasses	
	Warranty Card (by region)		
	VGA(D-sub 15pin) Cable		

*Lamp life results will vary depending on environmental conditions and usage. Actual product's features and specifications are subject to change without notice.

Distance Chart

Floor Installation



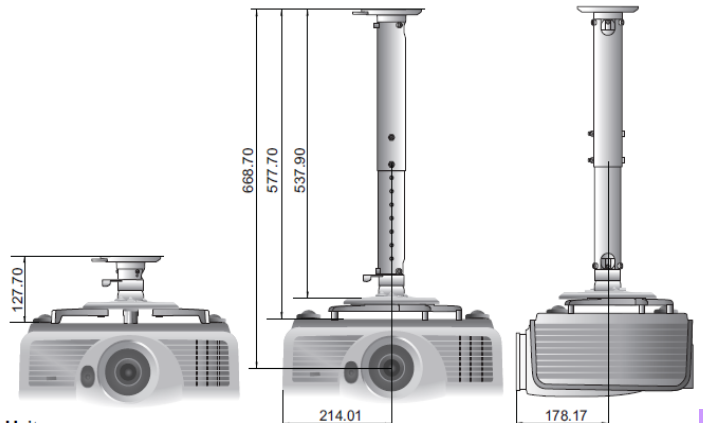
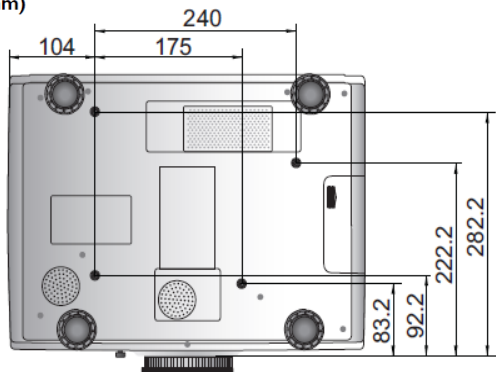
<F>: Screen

<G>: Center of lens

Diagonal <A> [inch (mm)]	Screen dimensions		Projection distance <D> [cm]			Lowest/Highest lens position <E> [cm]
	Height [cm]	Width <C> [cm]	Min distance (with max zoom)	Average	Max distance (with min zoom)	
30 (762)	37	66	108	135	162	4.7
40 (1016)	50	89	144	180	215	6
50 (1270)	62	111	180	224	269	8
60 (1524)	75	133	215	269	323	9
70 (1778)	87	155	251	314	377	11
80 (2032)	100	177	287	359	431	12
90 (2286)	112	199	323	404	485	14
100 (2540)	125	221	359	449	539	16
110 (2794)	137	243	395	494	592	17
120 (3048)	149	266	431	539	646	19
130 (3302)	162	288	467	583	700	20
140 (3556)	174	310	503	628	754	22
150 (3810)	187	332	539	673	808	23
160 (4064)	199	354	575	718	862	25
170 (4318)	212	376	610	763	916	26
180 (4572)	224	398	646	808	969	28
190 (4826)	237	421	682	853	1023	30
200 (5080)	249	443	718	898	1077	31
250 (6350)	311	553	898	1122	1346	39
300 (7620)	374	664	1077	1346	1616	47

Ceiling mount Chart

© Ceiling mount screws:
M6 (Max. L = 25 mm;
Min. L = 20 mm)



Unit: mm

Dimensio..

