



**Model Name** **MX852UST+ Digital Projector**

**Unique selling point**

- \* Vertical 4% lens shift
- \* Dual HDMI port.
- \* Optional PointWrite interactive capability
- \* SmartEco Power Saving technology
- \* Wall mount bundle

**Trade Mark**



<b>Projection System</b>	DLP	
<b>Native Resolution</b>	XGA(1024*768)	
<b>Brightness</b>	3000AL	
<b>Contrast Ratio</b>	10,000:1	
<b>Display Color</b>	1.07 Billion Colors	
<b>Lens</b>	F2.5,f=5.1mm	
<b>Aspect Ratio</b>	Native 4:3 (5 aspect ratio selectable)	
<b>Throw Ratio</b>	0.43	
<b>Clear Image Size/Max Image size</b>	68"-85"/300"	
<b>Zoom Ratio</b>	Fix	
<b>Lamp Type</b>	230W	
<b>Lamp(Normal/Economic/SmartEco Mode)*</b>	4000/5000/7000 hours	
<b>Keystone Adjustment</b>	1D, Vertical +/- 30 degrees	
<b>lnes shift range</b>	Vertical 8%	
<b>Projection Offset</b>	118%~122%	
<b>Resolution Support</b>	VGA(640 x 480) to UXGA(1600 x 1200)	
<b>Horizontal Frequency</b>	15~102KHz	
<b>Vertical Scan Rate</b>	23~120Hz	
<b>Compatibility</b>	HDTV Compatibility	480i, 480p, 576i, 576p, 720p, 1080i, 1080p
	Video Compatibility	NTSC, PAL, SECAM
<b>Interface</b>	Computer in (D-sub 15pin)	x 2(Shared with component)
	Monitor out (D-sub 15pin)	x 1
	Composite Video in (RCA)	x 1
	S-Video in (Mini DIN 4pin)	x 1
	HDMI	x 2
	Audio in (Mini Jack)	x 1
	Audio out (Mini Jack)	x 1
	Audio L/R	x 1
	Speaker	10W x 2
	USB (Type mini B)	x 1 (PointWrite interactive module)
	USB (Type B)	x 1 ( FW download)
	USB(Type A)	x 1 (1A Power for PT02 Touch module)
	RJ45	x 1 (LAN control)
	RS232 (DB-9pin)	x 1
	IR Receiver	x 1 (Front)
<b>Dimensions</b>	Dimensions(W x H x D)	373.3*287.5*130.2mm (w/o Mirror) 373.3*287.5*201mm(w Mirror)
	Weight	5KG(w/o wall mount)
<b>Power</b>	Power Supply	AC100 to 240 V, 50 to 60 Hz
	Power Consumption	typical 290W, stanby power <0.5W
<b>Audible Noise</b>	33/29 dBA (Normal/Economic mode)	
<b>On-Screen Display Languages</b>	Arabic/Bulgarian/ Croatian/ Czech/ Danish/ Dutch/ English/ Finnish/ French/ German/ Greek/ Hindi/ Hungarian/ Italian/ Indonesian/ Japanese/ Korean/ Norwegian/ Polish/ Portuguese/ Romanian/ Russian/ Simplified Chinese/Spanish/ Swedish/ Turkish/ Thai/ Traditional Chinese (28 Languages)	

Accessories	Standard	Optional
	Remote Control w/ Battery	RCE012
	Power Cord (by region)	2.9M
	User Manual CD	*1
	Quick Start Guide	*1
	Warranty Card (by region)	*1
	VGA(D-sub 15pin) Cable	*1
	Wall mount kit (installation guide)	*1
	Lens shift hex key	*1
	Spare Lamp Kit	5J.J8M05.011
	Wall Mount	WM04G4
	3D Glasses	DGD24
	Document Camera	S30
	PointWrite kit	PW01U
	PointWrite Touch module	PT02

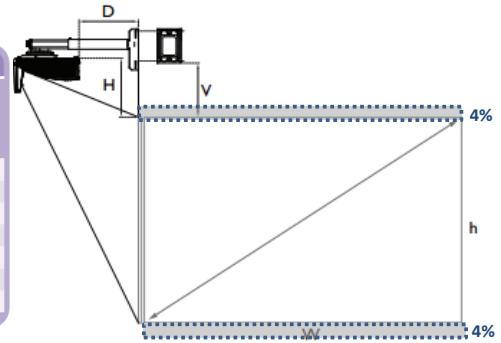
\*Lamp life results will vary depending on environmental conditions and usage. Actual product's features and specifications are subject to change without notice.

# MX852UST+ Digital Projector

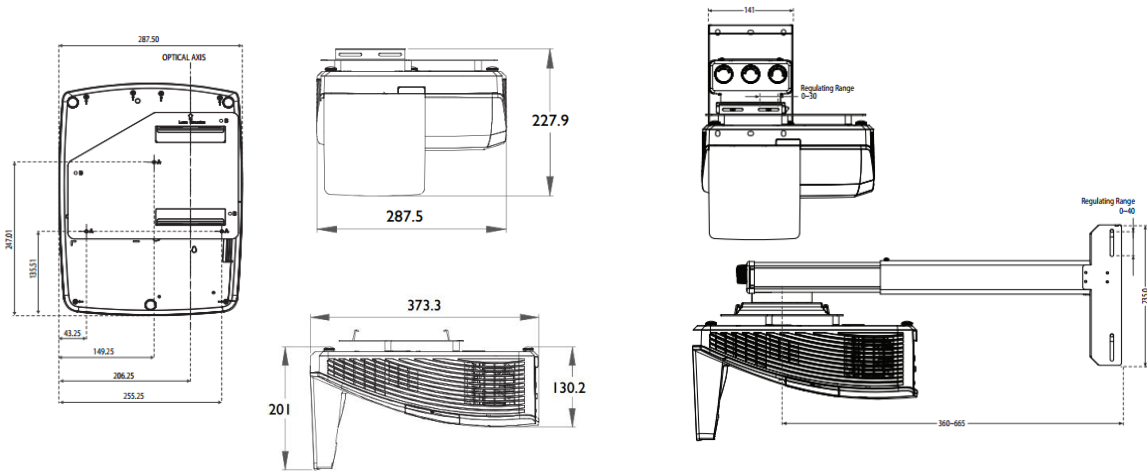
## Distance Chart

The screen aspect ratio is 4:3 and the projected picture is 4:3.

XGA										
Screen size (Diagonal)		Screen width (W)		Screen height (H)		Projection distance (D)		Offset (H)		Distance between Wall plate & projection screen (V)
inch	mm	inch	mm	inch	mm	inch	mm	inch	mm	
68	1727	54	1382	40	1036	11.16	283.4	11.86	301.3	273.5
70	1778	55	1422	42	1067	11.91	302.4	12.15	308.5	280.7
75	1905	59	1524	45	1143	13.83	351.4	12.88	327.2	299.4
77	1956	61	1565	46	1173	14.62	371.4	13.18	334.8	307
80	2032	63	1626	48	1219	15.72	399.4	13.60	345.4	317.6
82	2083	65	1666	49	1250	16.51	419.4	13.90	353	325.2
85	2159	67	1727	51	1295	17.61	447.4	14.32	363.7	335.9



## Wall mount/Ceiling mount Chart



## Dimension



\*Lamp life results will vary depending on environmental conditions and usage. Actual product's features and specifications are subject to change without notice.

\*\*offset is calculated by full screen height.

\*\*\*The measurement of offset and installation chart have max to 5% tolerance and may vary from the





## BenQ Scalable Interactive System

BenQ PointWrite interactive projectors turn any surface into an interactive whiteboard by utilizing an innovative infrared technology to detect transmitter light emitted from the PointWrite Pen or touch module that enable the camera to detect the finger or object movements. This allows teachers to invite students up to the board to make notes, answer questions, or collaborate on digital paintings, sparking creativity, imagination and lots of fun. Easy to set up and flexible to use, these education projectors make a cost-efficient and affordable option for every classroom.

### Key features

- Compatible with series BenQ short throw and ultra-short throw projector
- Supports up to 4 pens/fingers
- Dual screen touch for ultra wide working space.
- Effortless setup with only 1 second auto calibration\*
- An ultra-fast 0.016-second response time for a smooth writing experience

\*Calibration speed may vary depending on computer system.



PW01U Kit

## Scalable dual screen and finger touch



PT02 touch module

