



Model Name **MX666+ Digital Projector**

Unique selling point **Trade Mark**

- * tapNshow for NFC smart device
- * Wireless display with Notebook
- * MHL mirror the screen of smart device
- * Blu-ray Full HD 3D support
- * Vertical And Horizontal Keystone



| | | |
|---------------------------------------|---|--|
| Projection System | DLP | |
| Native Resolution | XGA(1024x7680) | |
| Brightness | 3500AL | |
| Contrast Ratio | 13000:1 | |
| Display Color | 1.07 Billion Colors | |
| Lens | F2.59-2.87 f=16.88-21.88 mm | |
| Aspect Ratio | Native 4:3 (5 aspect ratio selectable) | |
| Throw Ratio | 1.51~1.97(65"@ 2m) | |
| Image Size (Diagonal) | 37.5"-300" | |
| Zoom Ratio | 1.3:1 | |
| Lamp Type | 240W | |
| Lamp(Normal/Economic/SmartEco) | 3500/5000/6500 hours | |
| Keystone Adjustment | 2D, Vertical +/- 30 degrees, Horizontal +/- 25 degrees, under 3D timing only Vertical +/- 30 degrees | |
| Projection Offset | 125% ±5% | |
| Resolution Support | VGA(640 x 480) to WUXGA_RB(1920 x 1200)*RB = Reduced blanking | |
| Horizontal Frequency | 15K~102KHz | |
| Vertical Scan Rate | 23~120Hz | |
| Compatibility | HDTV Compatibility Video Compatibility 3D Compatibility (Please refer to User's Manual for detailed support timing.) | 480i, 480p, 576i, 576p, 720p, 1080i, 1080p NTSC, PAL, SECAM Frame Sequential: Up to 60Hz 720p Frame Packing: Up to 24Hz 1080p Side by Side: Up to 60Hz 1080i Top Bottom: Up to 24Hz 1080p |
| Interface | Computer in (D-sub 15pin) Monitor out (D-sub 15pin) HDMI/MHL Composite Video in (RCA) S-Video in (Mini DIN 4pin) Audio in (Mini Jack) Audio L/R in (RCA) Audio out (Mini Jack) Speaker USB (Type A) USB (Type mini B) RS232 (DB-9pin) RJ45 IR Receiver | x 2(Share with component) x 1 x 1(Share with MHL 1.2) x 1 x 1 x 1 x 1 x 1 10W x 1 x 1 (USB Reader & Wireless Display) x 1 (Download & UBS display) x 1 x 1 x2 (Front+Top) |
| Dimensions | Dimensions(W x H x D) Weight | 311.95 x 104.07 x 244.11 mm(include feet) 311.95 x 90.07 x 244.11 mm(exclude feet) 2.65kg (5.84lbs) |
| Power | Power Supply Power Consumption Power Management Function | AC100 to 240 V, 50 to 60 Hz 353W(Normal), 292W(Eco), Network standby <6W, Standby <0.5W Automatic power off after 20 minutes without a display source |
| Audible Noise | 33/30 dBA (Normal/Economic mode) | |
| On-Screen Display Languages | Arabic/Bulgarian/ Croatian/ Czech/ Danish/ Dutch/ English/ Finnish/ French/ German/ Greek/ Hindi/ Hungarian/ Italian/ Indonesian/ Japanese/ Korean/ Norwegian/ Polish/ Portuguese/ Romanian/ Russian/ Simplified Chinese/Spanish/ Swedish/ Turkish/ Thai/ Traditional Chinese (28 Languages) | |
| Picture Modes | **Dynamic / Presentation / sRGB / Cinema / (3D) / User 1 / User 2 | |
| Accessories | Standard Carry Bag Remote Control w/ Battery Power Cord (by region) User Manual CD Quick Start Guide Warranty Card (by region) | Optional Presentation Plus Spare Lamp Kit Ceiling Mount 3D Glasses VGA(D-sub 15pin) Cable Quick Wireless NFC Kit |

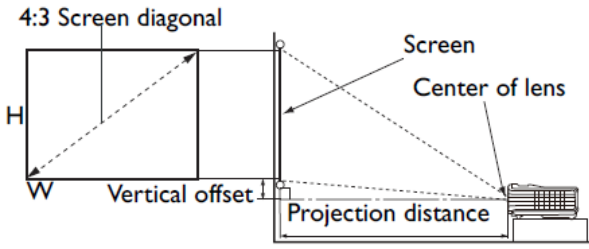
*Lamp life results will vary depending on environmental conditions and usage. Actual product's features and specifications are subject to change without notice.

** Default mode is Presentation. When 3D is on, Picture Modes only shows 3D. When 3D is off, it is not shown in Picture Modes.

MX666+ Digital Projector

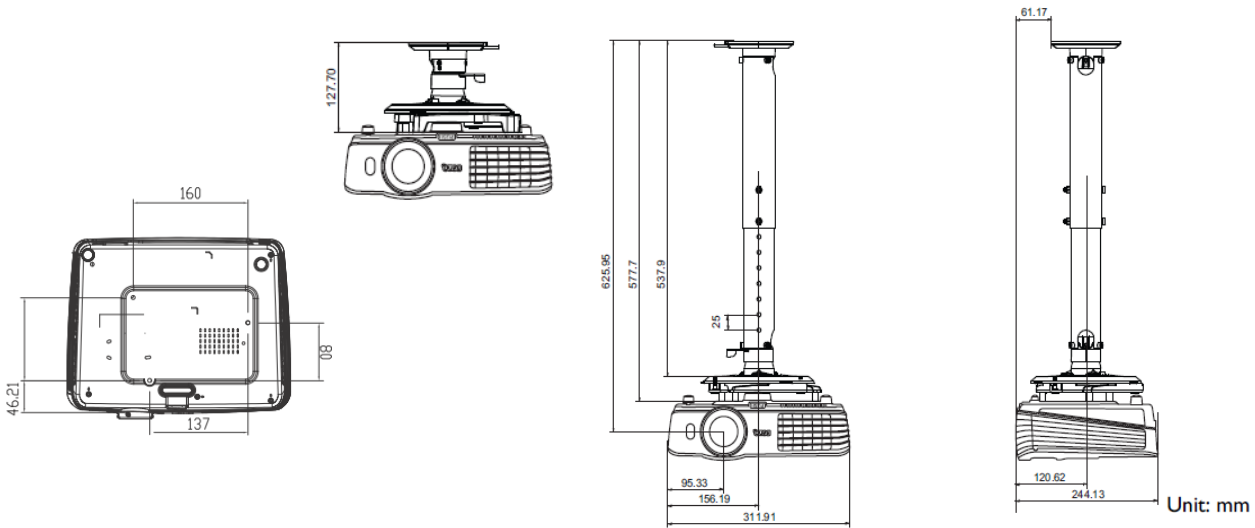
Distance Chart

The screen aspect ratio is 4:3 and the projected picture is in a 4:3 aspect ratio



| Screen size | | Projection distance (mm) | | | | | Vertical offset (mm) |
|-------------|------|--------------------------|--------|--------------------------|---------|--------------------------|----------------------|
| Diagonal | | W (mm) | H (mm) | Min distance (max. zoom) | Average | Max distance (min. zoom) | |
| 50 | 1270 | 1016 | 762 | 1538 | 1769 | 2000 | 57 |
| 60 | 1524 | 1219 | 914 | 1846 | 2123 | 2400 | 69 |
| 70 | 1778 | 1422 | 1067 | 2154 | 2477 | 2800 | 80 |
| 80 | 2032 | 1626 | 1219 | 2462 | 2831 | 3200 | 91 |
| 90 | 2286 | 1829 | 1372 | 2769 | 3185 | 3600 | 103 |
| 100 | 2540 | 2032 | 1524 | 3077 | 3538 | 4000 | 114 |
| 120 | 3048 | 2438 | 1829 | 3692 | 4246 | 4800 | 137 |
| 155 | 3937 | 3150 | 2362 | 4769 | 5485 | 6200 | 177 |
| 200 | 5080 | 4064 | 3048 | 6154 | 7077 | 8000 | 229 |
| 250 | 6350 | 5080 | 3810 | 7692 | 8846 | 10000 | 286 |
| 300 | 7620 | 6096 | 4572 | 9231 | 10615 | 12000 | 343 |

Wall mount/Ceiling mount Chart



Dimension



Unit: mm

