



Model Name **MW883UST Digital Projector**

Unique selling point **Trade Mark**

- * Inner Reflection Design of Ultra Short Throw Projector
- * Dual HDMI Port. MHL Supported.
- * Optional PointWrite Interactive Capability
- * Corner Fit, Surface Fit Image Correction.
- * Wall Mount Included

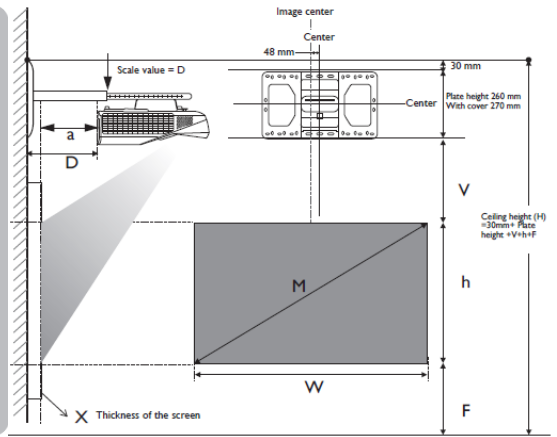


Projection System	DLP			
Native Resolution	WXGA(1280*800)			
Brightness	3300AL			
Contrast Ratio	10,000:1			
Display Color	1.07 Billion Colors			
Lens	F2.5,f=5.1mm			
Aspect Ratio	Native 16:10 (5 aspect ratio selectable)			
Throw Ratio	0.24			
Image Size	86"-140"			
Zoom Ratio	Fix			
Lamp Type	240W			
Lamp(Normal/Economic/SmartEco Mode)*	2500/4000/6000 hours			
Keystone Adjustment	2D,Vertical +/- 30 degrees, Horizontal +/-25 degree			
Other Image Adjustment	Corner fit/ Surface fit.			
Projection Offset**	115%			
Resolution Support	VGA(640 x 480) to UXGA(1600 x 1200)			
Horizontal Frequency	15~102KHz			
Vertical Scan Rate	23~120Hz			
Compatibility	HDTV Compatibility	480i, 480p, 576i, 576p, 720p, 1080i, 1080p		
	Video Compatibility	NTSC, PAL, SECAM		
Interface	Computer in (D-sub 15pin)	x 2(Shared with component)		
	Monitor out (D-sub 15pin)	x 1		
	Composite Video in (RCA)	x 1		
	S-Video in (Mini DIN 4pin)	x 1		
	HDMI/MHL	x 2(HDMI 2 with MHL)		
	Audio in (Mini Jack)	x 1		
	Audio out (Mini Jack)	x 1		
	Audio L/R	x 1		
	Speaker	10W x 2		
	USB (Type mini B)	x 2(FW download/PointWrite)		
	USB(Type A)	x 2 (USB display/USB reader/5V1.5A power supply)		
	RJ45	x 1 (LAN Control /LAN Display/FW download)		
	RS232 (DB-9pin)	x 1		
	IR Receiver	x1 (Front)		
Dimensions	Dimensions(W x H x D)	385*152*429 mm		
	Weight	6.2KG(w/o wall mount)		
Power	Power Supply	AC100 to 240 V, 50 to 60 Hz		
	Power Consumption	typical 410W, Network standby <6W. Standby <0.5W		
Audible Noise	35/29 dBA (Normal/Economic mode)			
On-Screen Display Languages	Arabic/Bulgarian/ Croatian/ Czech/ Danish/ Dutch/ English/ Finnish/ French/ German/ Greek/ Hindi/ Hungarian/ Italian/ Indonesian/ Japanese/ Korean/ Norwegian/ Polish/ Portuguese/ Romanian/ Russian/ Simplified Chinese/Spanish/ Swedish/ Turkish/ Thai/ Traditional Chinese (28 Languages)			
Accessories	Standard	Optional		
	Remote Control w/ Battery	RCS011	Spare Lamp Kit	
	Power Cord (by region)	2.9M	Wall Mount	WM03G5
	User Manual CD	*1	3D Glasses	DGD5
	Quick Start Guide	*1	Document Camera	S30
	Warranty Card (by region)	*1	PointWrite kit	PW20U
	VGA(D-sub 15pin) Cable	*1	PointWrite Touch module	PT02
	Wall mount kit (installation guide)	*1		

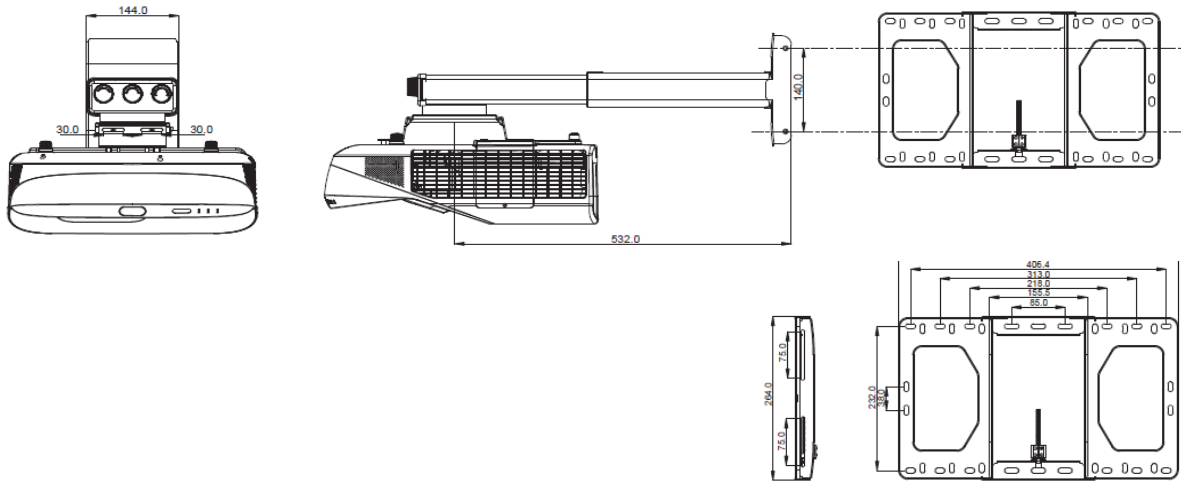
MW883UST Digital Projector

Distance Chart

Screen size			Min Ceiling height	Vertical offset	Installation distance (D)		
Diagonal(M)	Height(h)	Width(W)	H ^a	V	X ^b =0 mm (D=a)	X ^c =30 mm (D=a+30 mm)	
Inch	mm	(mm)	(mm)	(mm)	(mm)	(mm)	(mm)
86.5	2197	1164	1863	2430	216	88	118
87	2210	1171	1874	2438	217	91	121
90	2286	1212	1939	2485	223	106	136
95	2413	1279	2046	2562	233	131	161
100	2540	1346	2154	2639	243	156	186
105	2667	1414	2262	2717	253	181	211
110	2794	1481	2369	2794	263	206	236
115	2921	1548	2477	2872	273	231	261
120	3048	1615	2585	2949	284	256	286
125	3175	1683	2692	3026	294	281	311
130	3302	1750	2800	3104	304	306	336



Wall mountt Chart



Dimension



Unit: mm



PW20U

PT02

optional interactive module optional touch module

*Lamp life results will vary depending on environmental conditions and usage. Actual product's features and specifications are subject to change without notice.

**offset is calculated by full screen heigh.

***The measurement of offset and installation chart have max to 5% tolerance and may vary from the Actual size.

