



**Model Name** **MW853UST+ Digital Projector**

**Unique selling point**

- \* Vertical 8% lens shift
- \* Dual HDMI port.
- \* Optional PointWrite interactive capability
- \* SmartEco Power Saving technology
- \* Wall mount bundle

**Trade Mark**



<b>Projection System</b>	DLP	
<b>Native Resolution</b>	WXGA(1280*800)	
<b>Brightness</b>	3200AL	
<b>Contrast Ratio</b>	10,000:1	
<b>Display Color</b>	1.07 Billion Colors	
<b>Lens</b>	F2.5,f=5.1mm	
<b>Aspect Ratio</b>	Native 16:10 (5 aspect ratio selectable)	
<b>Throw Ratio</b>	0.36	
<b>Clear Image Size/Max Image size</b>	80"~100/300"	
<b>Zoom Ratio</b>	Fix	
<b>Lamp Type</b>	230W	
<b>Lamp(Normal/Economic/SmartEco Mode)*</b>	4000/5000/7000 hours	
<b>Keystone Adjustment</b>	1D, Vertical +/- 40 degrees	
<b>Lens shift range</b>	Vertical 8%	
<b>Projection Offset</b>	140%~148% (±5%)	
<b>Resolution Support</b>	VGA(640 x 480) to UXGA(1600 x 1200)	
<b>Horizontal Frequency</b>	15~102KHz	
<b>Vertical Scan Rate</b>	23~120Hz	
<b>Compatibility</b>	HDTV Compatibility	480i, 480p, 576i, 576p, 720p, 1080i, 1080p
	Video Compatibility	NTSC, PAL, SECAM
<b>Interface</b>	Computer in (D-sub 15pin)	x 2(Shared with component)
	Monitor out (D-sub 15pin)	x 1
	Composite Video in (RCA)	x 1
	S-Video in (Mini DIN 4pin)	x 1
	HDMI	x 2
	Audio in (Mini Jack)	x 1
	Audio out (Mini Jack)	x 1
	Audio L/R	x 1
	Speaker	10W x 2
	USB (Type mini B)	x 1 (PointWrite interactive module)
	USB (Type B)	x 1 (FW download)
	USB(Type A)	x 1 (IA Power for PT01 Touch module)
	RJ45	x 1 (LAN control)
	RS232 (DB-9pin)	x 1
	IR Receiver	x 1 (Front)
<b>Dimensions</b>	Dimensions(W x H x D)	373.3*287.5*130.2mm (w/o Mirror) 373.3*287.5*201mm(w Mirror)
	Weight	5KG(w/o wall mount)
<b>Power</b>	Power Supply	AC100 to 240 V, 50 to 60 Hz
	Power Consumption	typical 290W, stanby power <0.5W
<b>Audible Noise</b>	33/29 dBA (Normal/Economic mode)	
<b>On-Screen Display Languages</b>	Arabic/Bulgarian/ Croatian/ Czech/ Danish/ Dutch/ English/ Finnish/ French/ German/ Greek/ Hindi/ Hungarian/ Italian/ Indonesian/ Japanese/ Korean/ Norwegian/ Polish/ Portuguese/ Romanian/ Russian/ Simplified Chinese/Spanish/ Swedish/ Turkish/ Thai/ Traditional Chinese (28 Languages)	

Accessories	Standard	Optional
	Remote Control w/ Battery	RCE012 Spare Lamp Kit 5J.J8M05.011
	Power Cord (by region)	2.9M Wall Mount WM04G4
	User Manual CD	*1 3D Glasses DGD24
	Quick Start Guide	*1 Document Camera S30
	Warranty Card (by region)	*1 PointWrite kit PW01U
	VGA(D-sub 15pin) Cable	*1 PointWrite Touch module PT01
	Wall mount kit (installation guide)	*1
	Lens shift hex key	*1

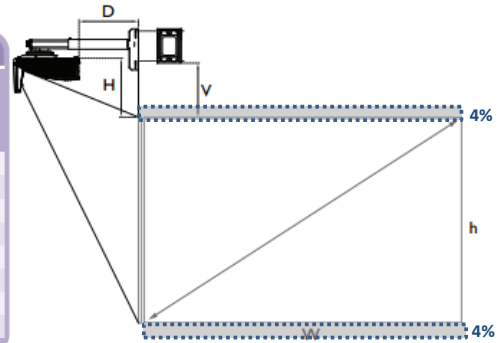
\*Lamp life results will vary depending on environmental conditions and usage. Actual product's features and specifications are subject to change without notice.

# MW853UST+ Digital Projector

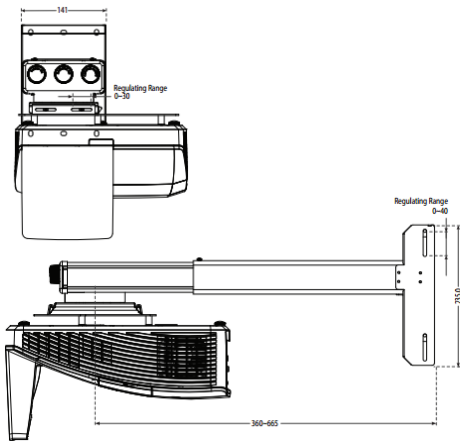
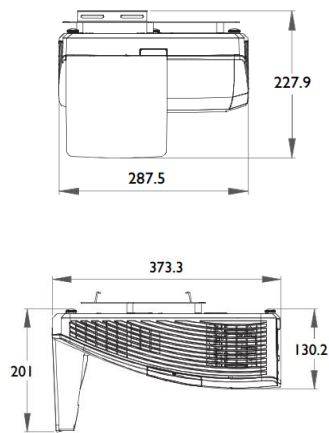
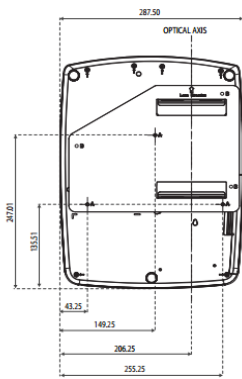
## Distance Chart

The screen aspect ratio is 16:10 and the projected picture is 16:10.

WXGA										
Screen size (Diagonal)		Screen width (W)		Screen height (H)		Projection distance (D)		Offset (H)		Distance between Wall plate & projection screen (V)
inch	mm	inch	mm	inch	mm	inch	mm	inch	mm	
80	2032	67	1723	42	1077	11.11	282.3	11.81	300	274.7
85	2159	71	1831	45	1144	12.73	323.3	12.37	314.3	289
87	2210	73	1874	46	1171	13.40	340.3	12.61	320.2	294.9
90	2286	76	1939	47	1212	14.38	365.3	12.95	328.9	303.6
92	2337	77	1982	48	1239	15.01	381.3	13.17	334.4	309.1
95	2413	80	2046	50	1279	15.98	405.8	13.50	343	317.7
97	2464	81	2089	51	1306	16.65	422.8	13.74	348.9	323.6
100	2540	85	2154	53	1346	17.55	445.8	14.05	356.9	331.6



## Wall mount/Ceiling mount Chart



## Dimension



Optional Interactive PW01U Kit, PT01 Touch Module

Unit: mm





## BenQ Scalable Interactive System

BenQ PointWrite interactive projectors turn any surface into an interactive whiteboard by utilizing an innovative infrared technology to detect transmitter light emitted from the PointWrite Pen or touch module that enable the camera to detect the finger or object movements. This allows teachers to invite students up to the board to make notes, answer questions, or collaborate on digital paintings, sparking creativity, imagination and lots of fun. Easy to set up and flexible to use, these education projectors make a cost-efficient and affordable option for every classroom.

### Key features

- Compatible with series BenQ short throw and ultra-short throw projector
  - Supports up to 4 pens/fingers
  - Dual screen touch for ultra wide working space.
  - Effortless setup with only 1 second auto calibration\*
  - An ultra-fast 0.016-second response time for a smooth writing experience
- \*Calibration speed may vary depending on computer system.



PW01U Kit

## Scalable dual screen and finger touch



PT01 touch module

