



**Model Name** **MW843UST Digital Projector**

**Unique selling point** **Trade Mark**

- \* SmartEco Power Saving technology
- \* Blu-ray Full HD 3D Supported
- \* Up to 7000hours lamp life
- \* Wall mount bundle



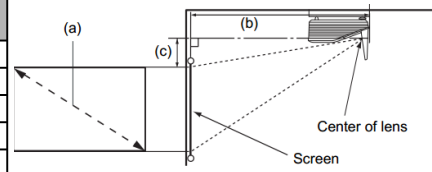
<b>Projection System</b>	DLP		
<b>Native Resolution</b>	WXGA(1280*800)		
<b>Brightness</b>	3000AL		
<b>Contrast Ratio</b>	13,000:1		
<b>Display Color</b>	1.07 Billion Colors		
<b>Lens</b>	F=2.53,f=5.38		
<b>Aspect Ratio</b>	Native 16:10 (5 aspect ratio selectable)		
<b>Throw Ratio</b>	0.37		
<b>Image Size (Diagonal)</b>	64"~120"		
<b>Zoom Ratio</b>	Fix		
<b>Lamp Type</b>	240W		
<b>Lamp(Normal/Economic/SmartEco Mode)*</b>	3500/5000/7000 hours		
<b>Keystone Adjustment</b>	1D, Vertical +/- 15 degrees		
<b>Projection Offset</b>	147% ±5%		
<b>Resolution Support</b>	VGA(640 x 480) to UXGA(1600 x 1200)		
<b>Horizontal Frequency</b>	15~102KHz		
<b>Vertical Scan Rate</b>	23~120Hz		
<b>Compatibility</b>	HDTV Compatibility	480i, 480p, 576i, 576p, 720p, 1080i, 1080p	
	Video Compatibility	NTSC, PAL, SECAM	
<b>Interface</b>	Computer in (D-sub 15pin)	x 2(Shared with component)	
	Monitor out (D-sub 15pin)	x 1	
	Composite Video in (RCA)	x 1	
	S-Video in (Mini DIN 4pin)	x 1	
	HDMI	x 1	
	Audio in (Mini Jack)	x 2	
	Audio out (Mini Jack)	x 1	
	Audio L/R	x 1	
	Speaker	10W x 2	
	USB (Type mini B)	x 1 (FW download)	
	RJ45	x 1 (LAN control)	
	RS232 (DB-9pin)	x 1	
	IR Receiver	x 2	
<b>Dimensions</b>	Dimensions(W x H x D)	339*236.9*322.8mm	
	Weight	6.2KG(w/o wall mount)	
<b>Power</b>	Power Supply	AC100 to 240 V, 50 to 60 Hz	
	Power Consumption	typical 2300W, network standby 50W, standby power <0.5W	
	Power Management Function	Automatic power off after 20 minutes without a display source	
<b>Audible Noise</b>	36/30 dBA (Normal/Economic mode)		
<b>On-Screen Display Languages</b>	Arabic/Bulgarian/ Croatian/ Czech/ Danish/ Dutch/ English/ Finnish/ French/ German/ Greek/ Hindi/ Hungarian/ Italian/ Indonesian/ Japanese/ Korean/ Norwegian/ Polish/ Portuguese/ Romanian/ Russian/ Simplified Chinese/Spanish/ Swedish/ Turkish/ Thai/ Traditional Chinese (28 Languages)		
<b>Picture Modes</b>	Dynamic/Presentation/sRGB/Cinema(3D)/User 1/User 2		
<b>Accessories</b>	<b>Standard</b>	<b>Optional</b>	
	Remote Control w/ Battery	RCE012	Spare Lamp Kit 5JJA05.001
	Power Cord (by region)	2.9M	Wall Mount WM04G41
	User Manual CD	*1	3D Glasses DGD24
	Quick Start Guide	*1	Document Camera S30
	Warranty Card (by region)	*1	
	VGA(D-sub 15pin) Cable	*1	
	Dust filter(C SKU)	*1	
	Wall mount kit (installation guide)	*1	

\*Lamp life results will vary depending on environmental conditions and usage. Actual product's features and specifications are subject to change without notice.

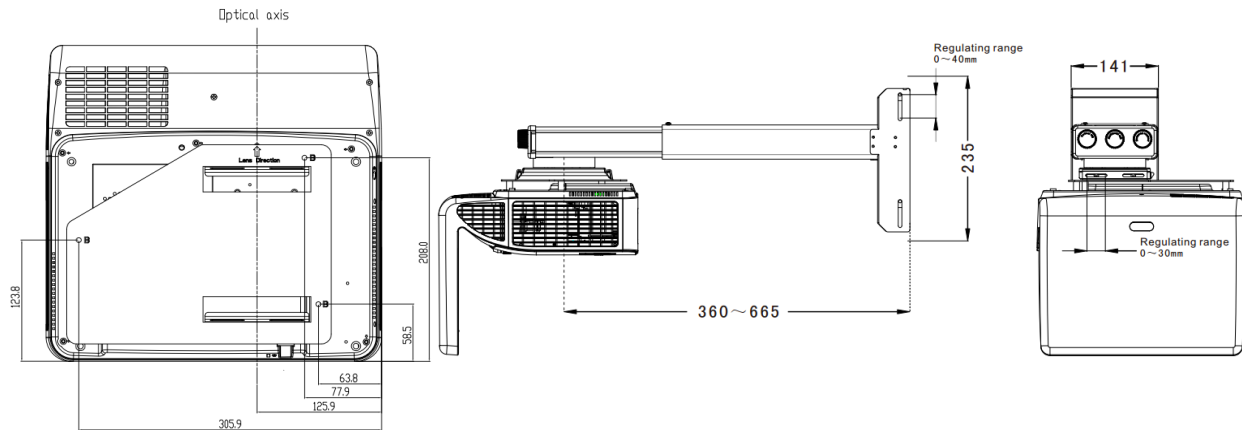
# MW843UST Digital Projector

## Distance Chart

(a) Screen size				(b) Distance from screen (mm)	(c) Vertical offset (mm)
Diagonal		Height (mm)	Width (mm)		
Inches	mm				
60	1524	808	1292	147	190
70	1778	942	1508	227	221
80	2032	1077	1723	308	253
90	2286	1212	1939	388	285
100	2540	1346	2154	469	316
110	2794	1481	2369	549	348
120	3048	1615	2585	630	380



## Wall mount/Ceiling mount Chart



## Dimension

