



## Model Name **MH741 Projector**

### Unique selling point

- \* 4000ANSI Lumen High Brightness
- \* 10000:1 High Contrast Ratio
- \* Blu-ray Full HD 3D support
- \* MHL Mirror the Screen of Smart Device
- \* Wireless Presentation via Your Smart Device by OCast<sup>(optional)</sup>

### Trade Mark



<b>Projection System</b>	DLP		
<b>Native Resolution</b>	1080p (1920 x 1080)		
<b>Brightness</b>	4000 ANSI Lumen		
<b>Contrast Ratio</b>	10000:1		
<b>Display Color</b>	1.07 Billion Colors		
<b>Lens</b>	F=2.59~2.87, f=16.88~21.88		
<b>Aspect Ratio</b>	Native 16:9 (5 aspect ratio selectable)		
<b>Throw Ratio</b>	1.15-1.49 (Wide 95" ±3% @ 2.42m)		
<b>Image Size (Diagonal)</b>	60" ~ 300"		
<b>Zoom Ratio</b>	1.3x		
<b>Lamp Type</b>	260W		
<b>Lamp(Normal/Economic/SmartEco/LampSave)*</b>	2500/3500/4500 hours		
<b>Keystone Adjustment</b>	2D, Vertical & Horizontal ± 30 degrees; Auto vertical keystone ± 30 degrees		
<b>Projection Offset</b>	Vertical: 130% ±5%		
<b>Resolution Support</b>	VGA(640 x 480) to WUXGA_RB(1920 x 1200)*RB = Reduced blanking		
<b>Horizontal Frequency</b>	15K-102KHz		
<b>Vertical Scan Rate</b>	23-120Hz		
<b>Compatibility</b>	HDTV Compatibility	480i, 480p, 576i, 576p, 720p, 1080i, 1080p	
	Video Compatibility	NTSC, PAL, SECAM	
	3D Compatibility	Frame Sequential: Up to 60Hz 720p	
	(Please refer to User Manual for detailed support timing.)	Frame Packing: Up to 24 Hz 1080p	
		Side by Side: Up to 24Hz 1080p	
		Top Bottom: Up to 60Hz 1080p	
<b>Interface</b>	Computer in (D-sub 15pin)	x1 ( integrate with component)	
	HDMI	x2 (HDMI with MHL2.0 x1, HDMI x 1)	
	MHL	x 1(HDMI with MHL2.0)	
	Monitor out	x 1	
	Composite Video in (RCA)	x 1	
	S-Video in	x 1	
	Audio in (Mini Jack)	x 1	
	Audio in (L/R)	x1	
	Audio out (Mini Jack)	x 1	
	Speaker	10W x 1	
	USB (Type A)	x 1 (1.5A power supply)	
	RS232 (DB-9pin)	x 1	
	IR Receiver	x2 (Front+Rear)	
<b>Dimensions</b>	Dimensions(W x H x D)	314.2x116x216.3mm (include feet)	
		314.2x102x216.3mm (exclude feet)	
	Weight	7.28 lbs (3.3 Kg)	
<b>Power</b>	Power Supply	AC100 to 240V, 3.5A, 50 to 60 Hz	
	Power Consumption	330W(Normal), 270W(Eco), Standby <0.5W	
	Power Management Function	Automatic power off after 20 minutes without a display source	
<b>Audible Noise</b>	36/31 dBA (Normal/Economic mode)		
<b>On-Screen Display Languages</b>	Arabic/Bulgarian/ Croatian/ Czech/ Danish/ Dutch/ English/ Finnish/ French/ German/ Greek/ Hindi/ Hungarian/ Italian/ Indonesian/ Japanese/ Korean/ Norwegian/ Polish/ Portuguese/ Romanian/ Russian/ Simplified Chinese/Spanish/ Swedish/ Turkish/ Thai/ Traditional Chinese (28 Languages)		
<b>Picture Modes</b>	**Dynamic / <b>Presentation</b> / sRGB / Cinema / (3D) / User 1 / User 2		
<b>Accessories</b>	<b>Standard</b>	<b>Optional</b>	
	Carry bag	Power Cord (by region)	Spare Lamp Kit Video Streaming Dongle - QCast
	Remote Control w Battery	VGA cable	Ceiling mount kit
	User Manual CD	QSG	Carry bag
	Lens Cover	Warranty Card (by region)	3D Glasses

### Environmental Notice

Lamp in this product contains mercury.

To dispose of the product or used lamps, consult your local environment authorities for regulations or see [www.lamprecycle.org](http://www.lamprecycle.org).

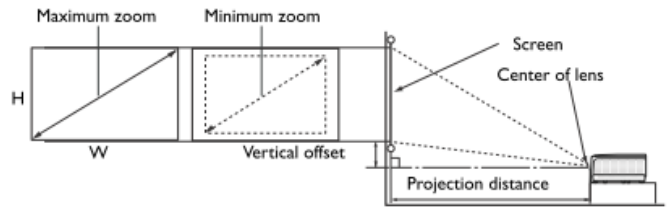
\*Lamp life results will vary depending on environmental conditions and usage. Actual product's features and specifications are subject to change without notice.

\*\* Default mode is Presentation. When 3D is on, Picture Modes only shows 3D. When 3D is off, it is not shown in Picture Modes.

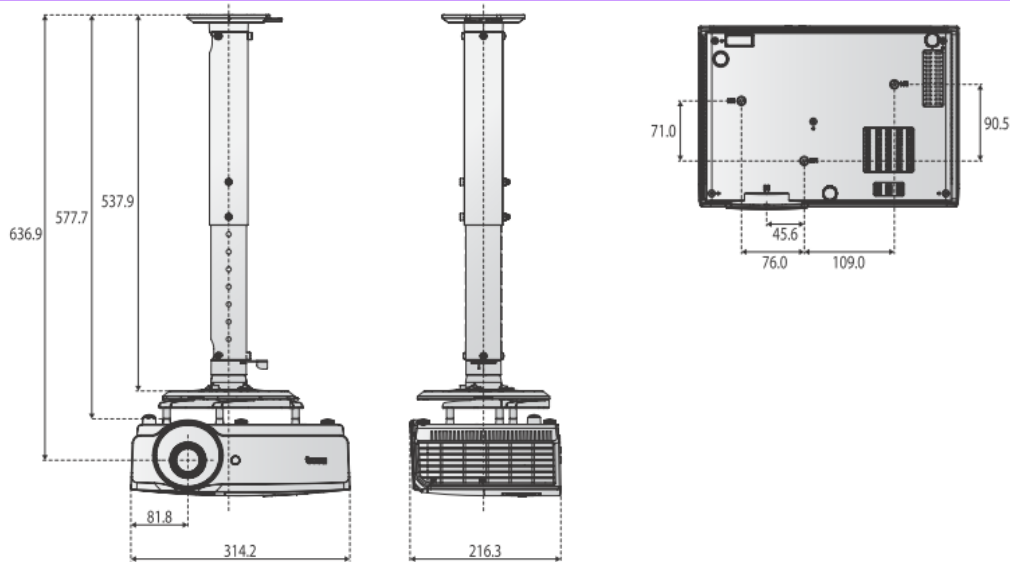
# MH741 Projector

## Distance Chart

Screen size				Distance from screen [mm]			Offset [mm] @ Wide mode
Diagonal		Width mm	Height mm	Min Distance	Average	Max Distance	
inch	mm						
50	1270	1107	623	1273	1461	1649	93
60	1524	1328	747	1528	1753	1979	112
70	1778	1550	872	1782	2046	2309	131
80	2032	1771	996	2037	2338	2639	149
90	2286	1992	1121	2291	2630	2969	168
100	2540	2214	1245	2546	2922	3299	187
110	2794	2435	1370	2800	3214	3628	205
120	3048	2657	1494	3055	3507	3957	224
130	3302	2878	1619	3310	3799	4288	243
140	3556	3099	1743	3564	4091	4618	262
150	3810	3321	1868	3819	4383	4948	280
160	4064	3542	1992	4073	4676	5278	299
170	4318	3763	2117	4328	4968	5608	318
180	4572	3985	2241	4583	5260	5937	336
190	4826	4206	2366	4837	5552	6267	355
200	5080	4428	2491	5092	5844	6597	374
250	6350	5535	3113	6365	7306	8246	467
300	7620	6641	3736	7638	8767	9896	560



## Ceiling mount Chart



## Dimension

